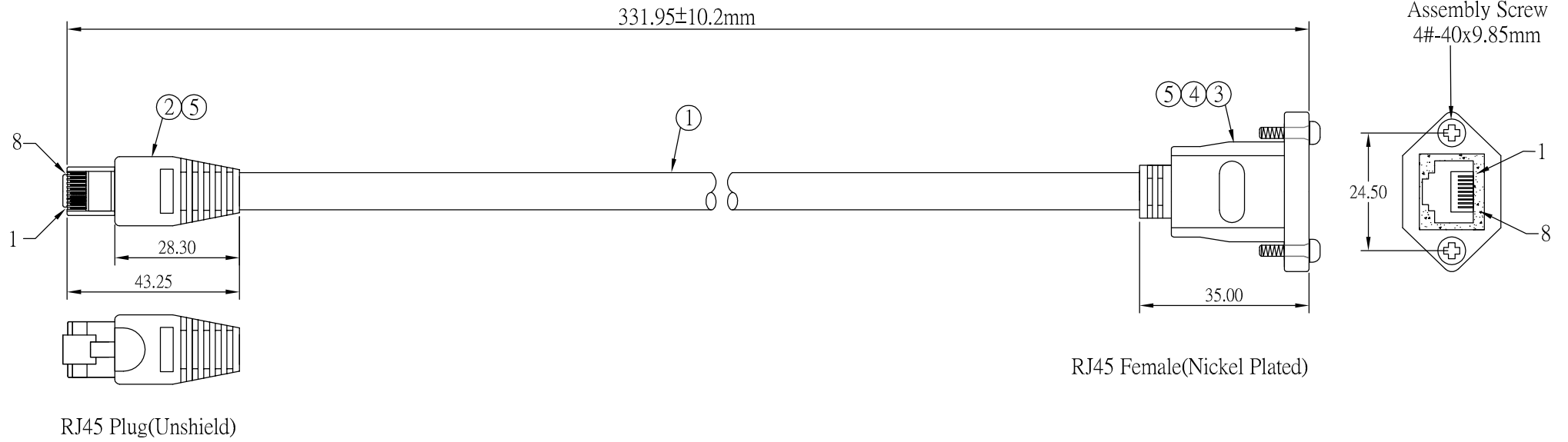
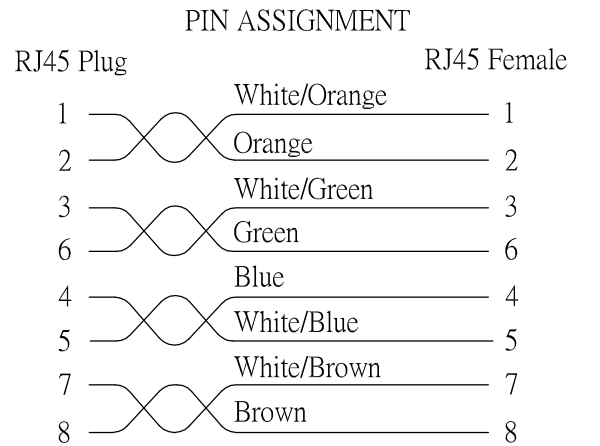


RoHS Compliant



OPEN/SHORT TEST: 100% TEST  
INSULATION: 5M.

5	Black 45P PVC	13g
4	LDPE	3.8g
3	RJ45 Femal, Shell: Nickel Plated, Contact: Gold Plated FU"	1PCS
2	RJ45 Plug, Unshield, Contact: Gold Plated 3U"	1PCS
1	CAT.5e UTP 4P*24AWG(7/0.20BC), PVC Jacket, O.D.=5.5±0.2mm, Black	1PCS
No.	Description	Q'ty



Company	Goods Code	Draw	ZML	Date	2017.10.18
ITEM NO.	P909 RJ45 M-F	Check		Date	
Goods NO.		Approval		Date	
Original NO.	Unit(mm)	Audit		Date	

Premier Cable

D		
C		
B		
VER.	REVISE	Date