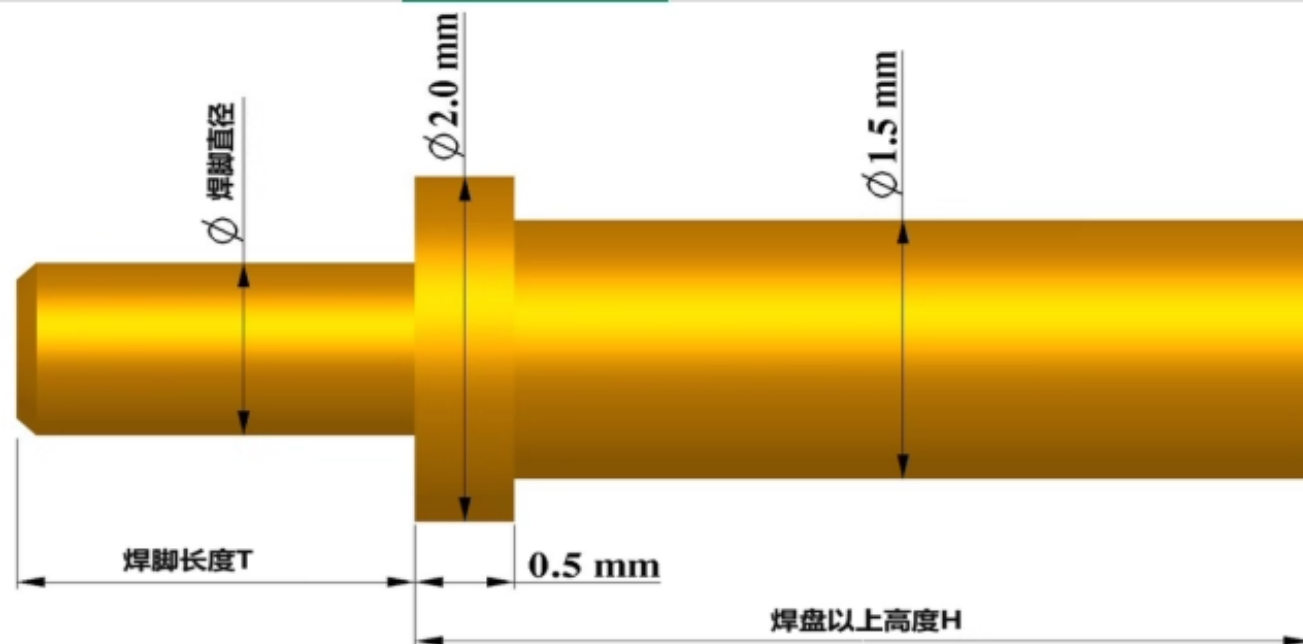


## Motherboard plug-in type, assemblable for 2-60 pins

Order number	Product Name and Specifications	Height above the solder pad (H)	Leg length T	In the diameter of the solder joint	Remarks
	Motherboard plug 2.5H-2.0T	2.5	2	0.8/0.4	With a concave surface
2	Motherboard plug 2.8H-1.2T	2.8	1.2	0.6	
3	Motherboard plug 2.5H-6.0T	2.5	6	0.8	With a concave surface
4	Motherboard plug 3.0H-2.0T	3	2	0.8	
5	Motherboard plug 3.4H-1.75T	3.4	1.75	0.5	Pads 1.8
6	Motherboard plug board 3.5H-X.OT	3.5	1.0/2.0/3.0	0.9//0.6	
7	Motherboard plug 4.0H-2.0T	4	2	0.9	
8	Motherboard plug board 4.5H-X.OT	4.5	1.5/2.0/2.5	0.8/0.9	With a concave surface
9	Motherboard plug 4.9H-0.8T	4.9	0.8	0.9	
10	Motherboard plug 5.5H-2.0T	5.5	2	0.9	With a concave surface
11	Motherboard plug 5.7H-2.3T	5.7	2.3	0.8	Concave surface, pad 1.8
12	Motherboard plug 6.0H-2.0T	6	2	0.9	
13	Motherboard plug 6.7H-3.0T	6.7	3		With a concave surface
14	Motherboard plug 7.0H-X.OT	7	1.0/2.0	0.8	
15	Motherboard plug board 8.0H-X.OT	8	1.0/2.0	0.8	With a concave surface
16	Motherboard plug 9.5H-2.0T	9.5	2	0.9	
17	Motherboard plug 11.0H-2.0T	11	2	0.9	With a concave surface



### 母座插板式 可组装2-60PIN

序号	品名规格	焊盘以上高度H	焊脚长度T	焊脚直径 $\phi$	备注
1	母座插板2.5H-2.0T	2.5	2	0.8/0.4	有凹面
2	母座插板2.8H-1.2T	2.8	1.2	0.6	
3	母座插板2.5H-6.0T	2.5	6	0.8	有凹面
4	母座插板3.0H-2.0T	3	2	0.8	
5	母座插板3.4H-1.75T	3.4	1.75	0.5	焊盘1.8
6	母座插板3.5H-X.0T	3.5	1.0/2.0/3.0	0.9//0.6	
7	母座插板4.0H-2.0T	4	2	0.9	
8	母座插板4.5H-X.0T	4.5	1.5/2.0/2.5	0.8/0.9	有凹面
9	母座插板4.9H-0.8T	4.9	0.8	0.9	
10	母座插板5.5H-2.0T	5.5	2	0.9	有凹面
11	母座插板5.7H-2.3T	5.7	2.3	0.8	有凹面, 焊盘1.8
12	母座插板6.0H-2.0T	6	2	0.9	
13	母座插板6.7H-3.0T	6.7	3	1	有凹面
14	母座插板7.0H-X.0T	7	1.0/2.0	0.8	
15	母座插板8.0H-X.0T	8	1.0/2.0	0.8	有凹面
16	母座插板9.5H-2.0T	9.5	2	0.9	
17	母座插板11.0H-2.0T	11	2	0.9	有凹面