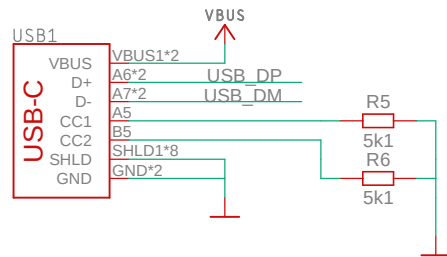
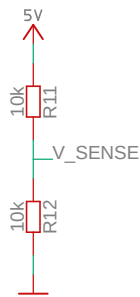


# Tiny FX W (PIM728) – RP2040

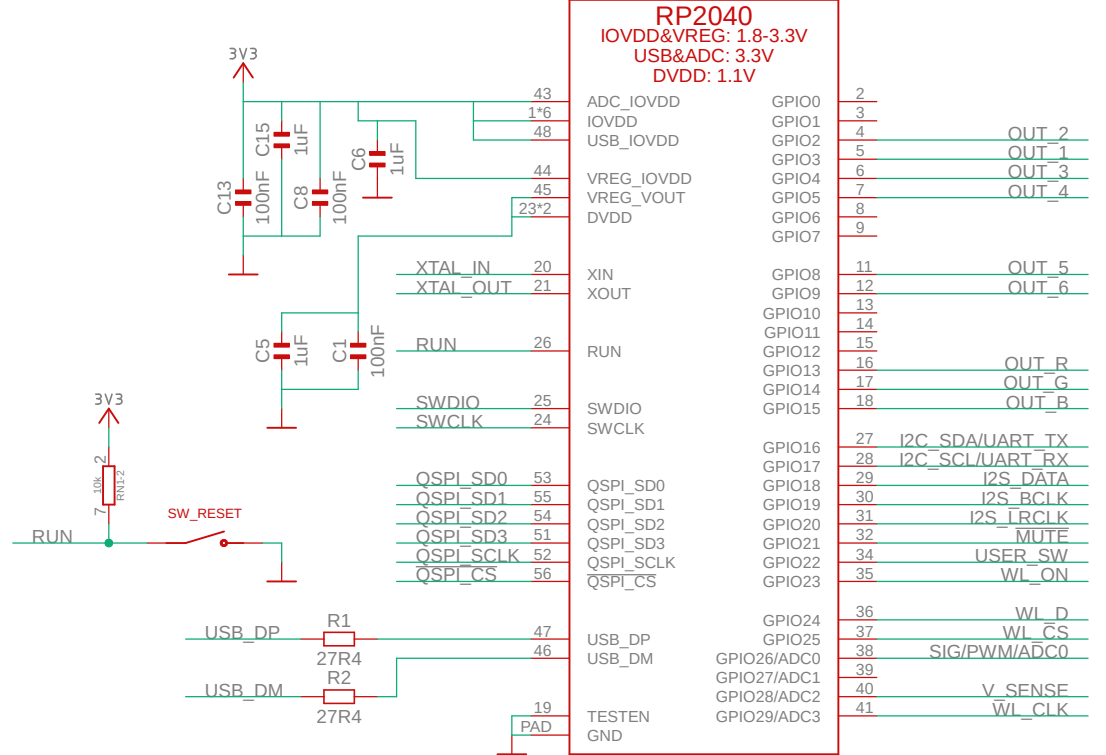
USB-C connector



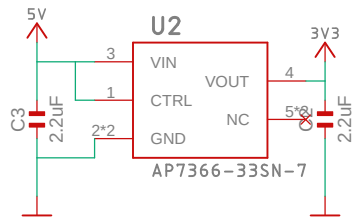
Voltage Sense



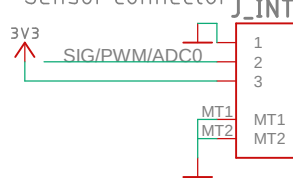
RP2040 MCU



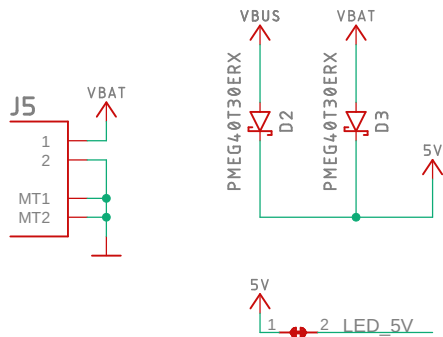
LDO



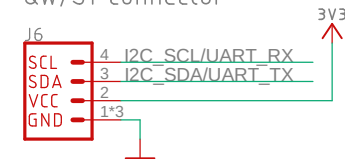
Sensor connector



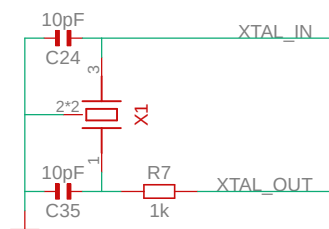
Power Inputs



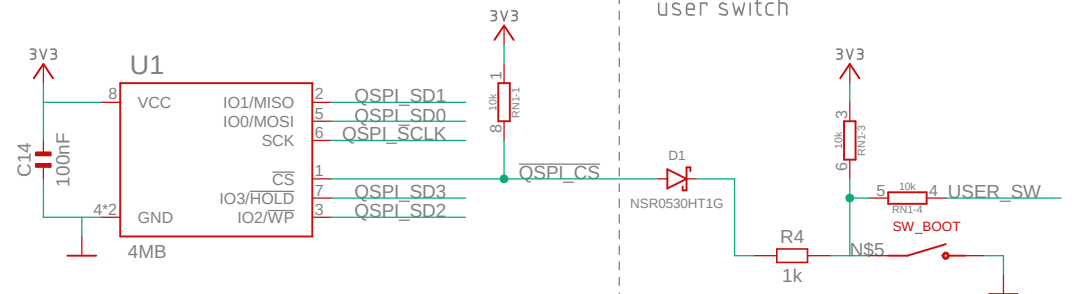
QW/ST connector



Crystal oscillator



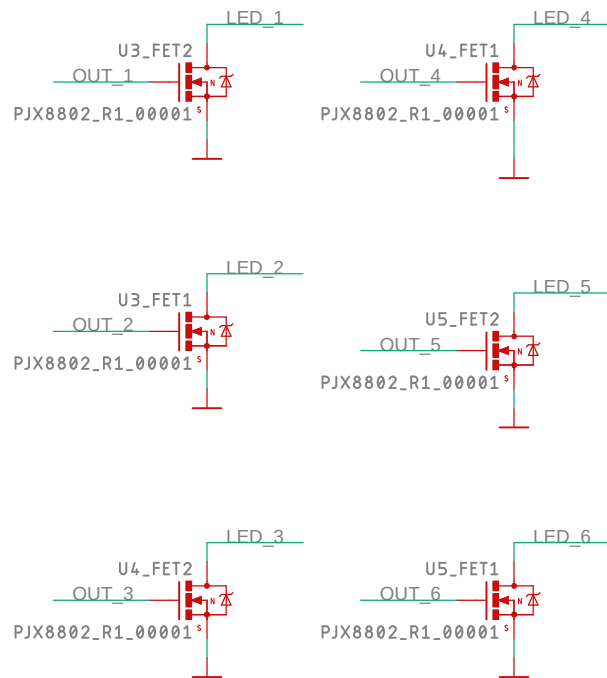
Flash memory, 8MB



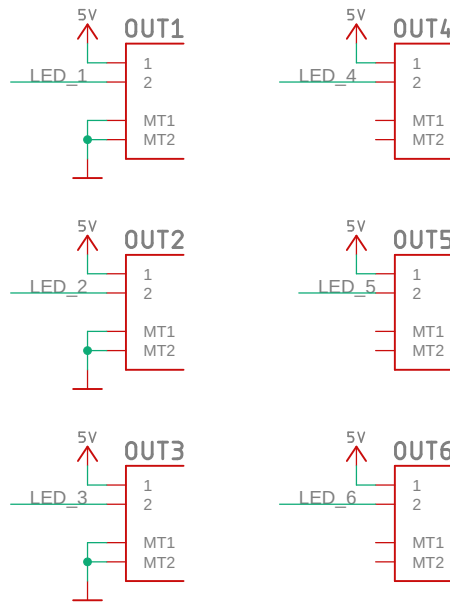
Combined USB boot & user switch

# Tiny FX W (PIM728) – LED Outputs

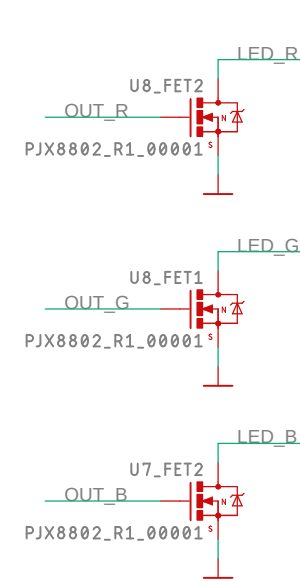
## Mono Drivers



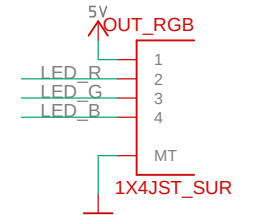
## Mono Outputs



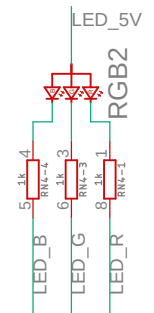
## RGB Drivers



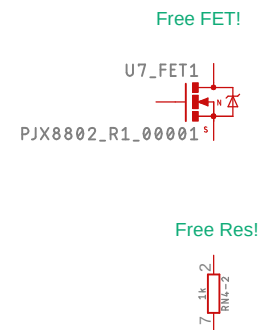
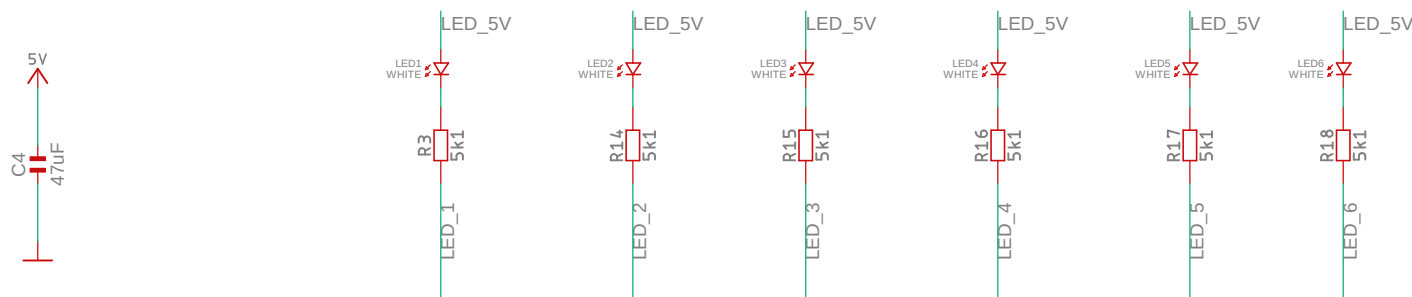
## RGB Output



## RGB LED

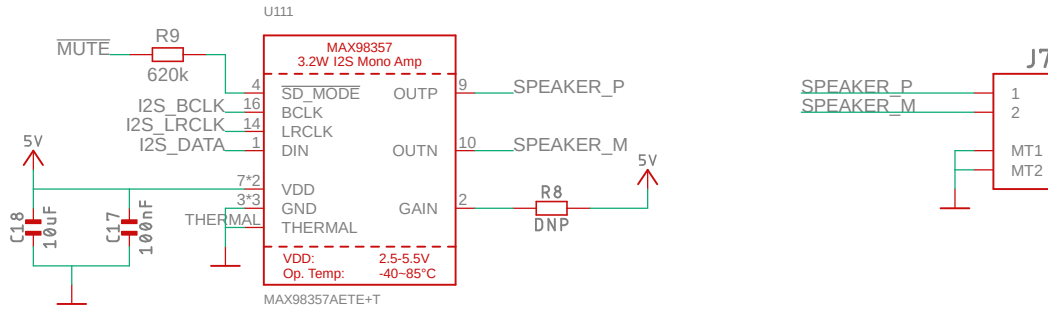


## Mono LEDs



# Tiny FX W (PIM728) – Audio Amp & Wireless

## Audio DAC + Amp



At 5V:  
 R8 DNP -> Gain 9dB  
 R8 = 0ohm -> Gain 6dB  
 R8 = 100k -> Gain 3dB  
 (Gain values of 12dB and 15dB would require a resistor to GND)

At 5V:  
 R9 = 1M -> mix both channels  
 R9 = 0ohm -> left channel  
 R9 = 370k -> right channel

## RM2 Module

