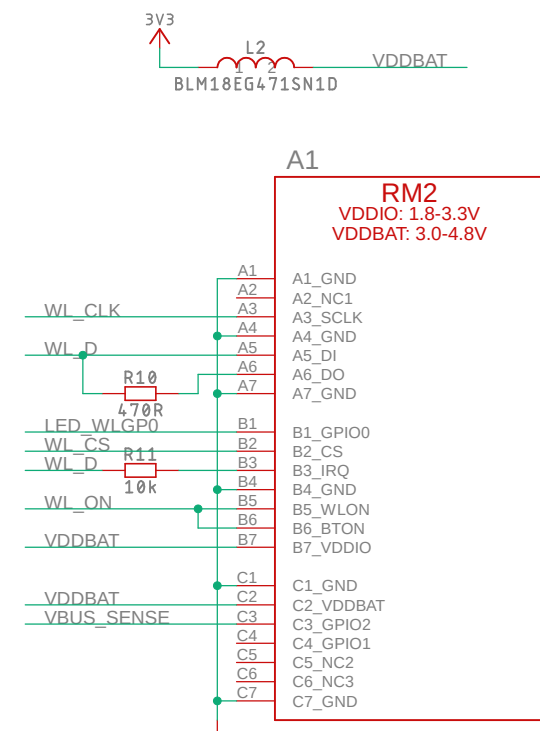
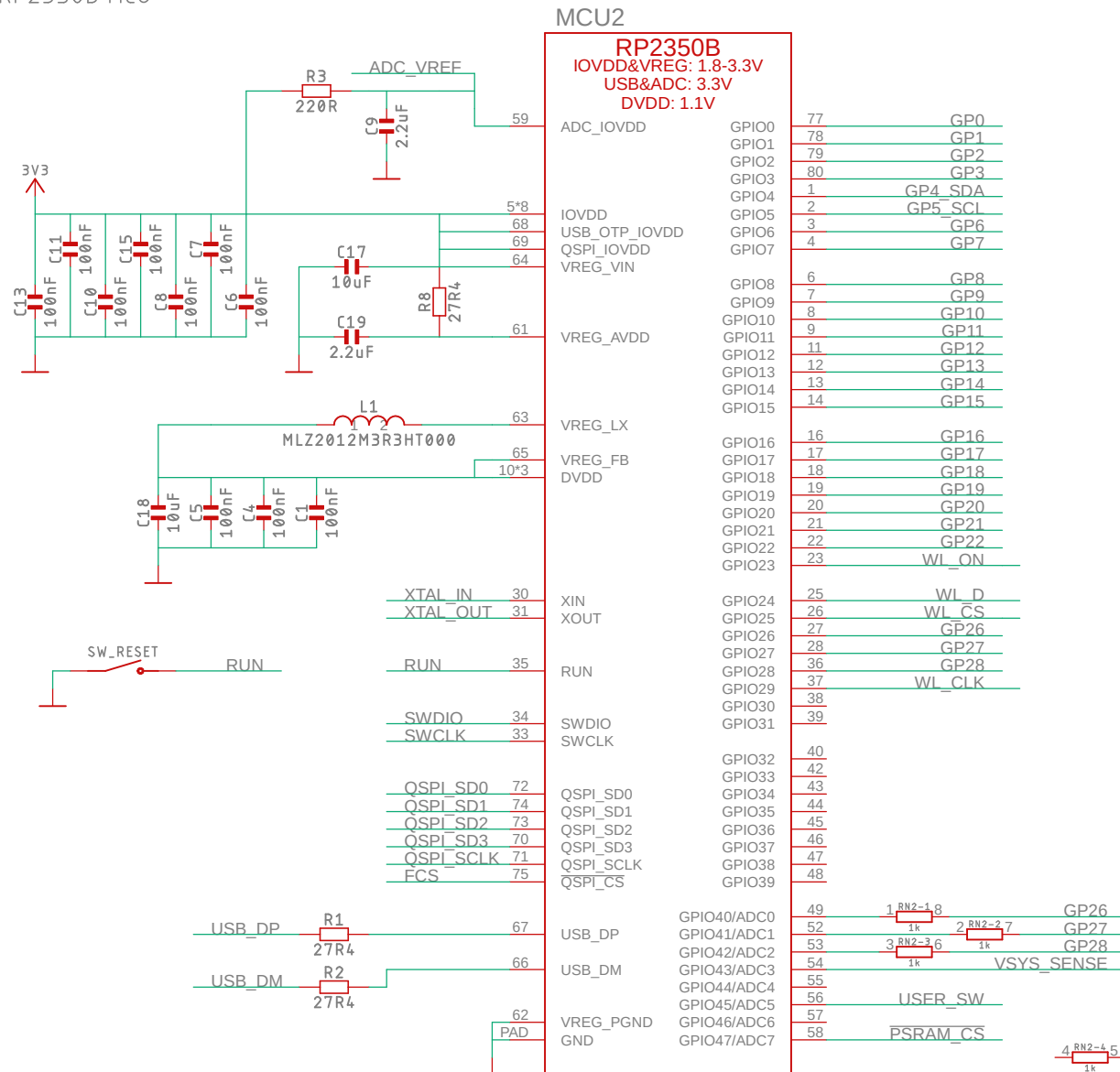


# Pimoroni Pico Plus 2 (PIM726)

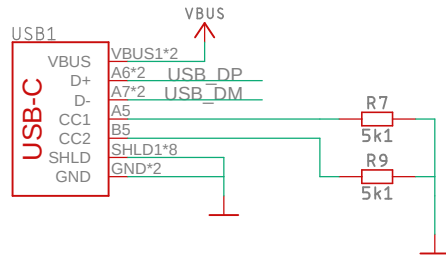
RP2350B MCU

RM2 module

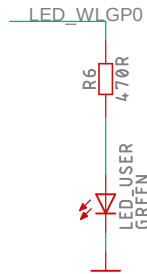


# Pimoroni Pico Plus 2 (PIM726)

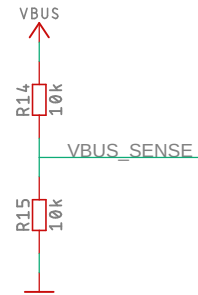
USB-C connector



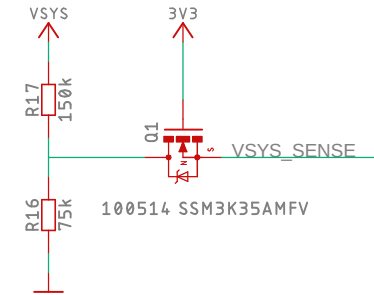
User LED



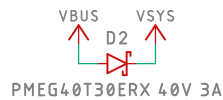
Vbus sense voltage divisor



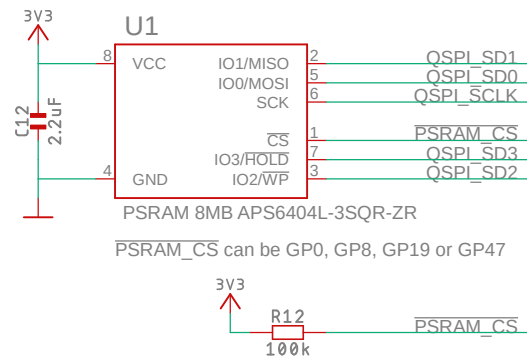
Vsys sense voltage divisor



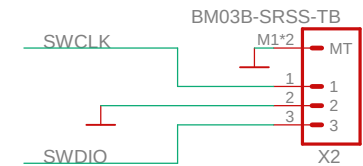
Vbus to Vsys diode connection



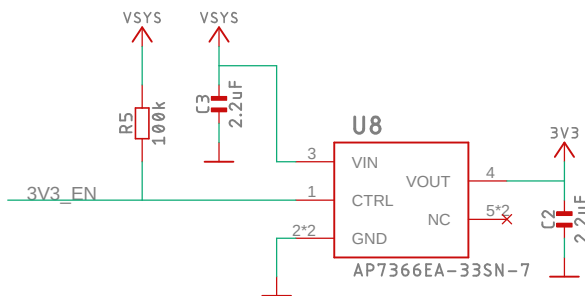
PSRAM



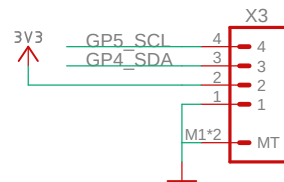
Debug connector



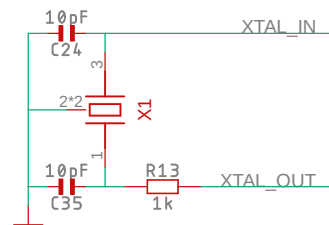
LDO for 3v3 output, low Iq



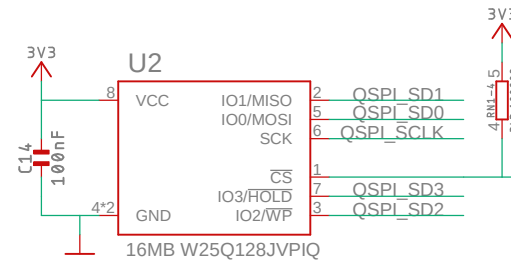
QW/ST connector



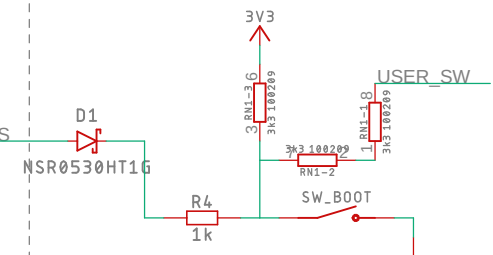
Crystal oscillator



Flash memory



Combined USB boot & user switch



# Pimoroni Pico Plus 2 (PIM726)

Output headers

