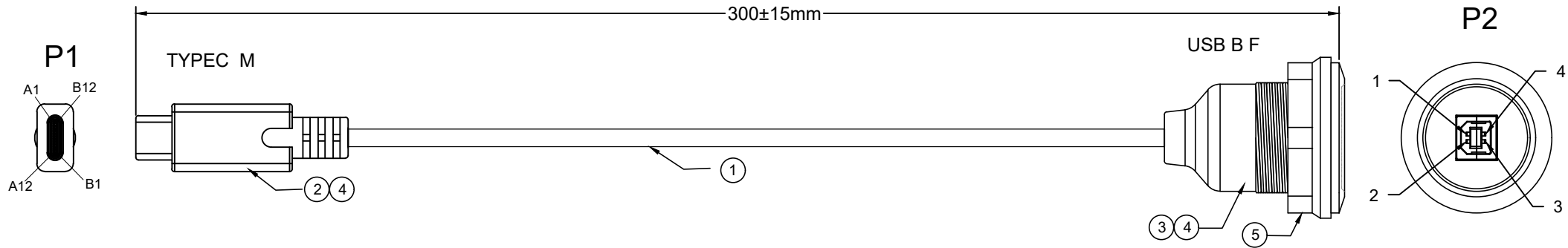
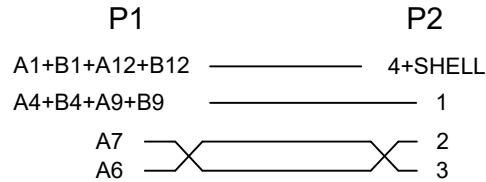


RoHS Compliant



PIN ASSIGNMENT



NOTES:

1. PIN ASSIGNMENT SEE TO WIRE LIST.
2. WITH COPPER SHIELD AFTER INNER MOLDING.
3. ELECTRICAL TEST CONDITION:
  - (a).100%OPEN,SHORT & MISWIRE TEST,
  - (b). INSULATOR RESISTANCE:10 Mohm MIN.  
DC 300V 0.01sec.
  - (c). CONTACT RESISTANCE:3ohm MAX.

5	NUT BLACK PVC 27P MOLDED.	
4	OVERMOLD BLACK PVC 45P MA-001.	
3	USB B FEMALE WHITE PBT WITH NICKLE PLATED SHELL G/F.	
2	TYPEC 2.0 MALE BLACK PBT WITH NICKLE PLATED SHELL G/F.	
1	28AWG*1P+24AWG*2C+AEB(16/6/0.1) OD:4.5MM BLACK PVC JACKET UL2725.	
NO.	Description	P/N

DWG NO:	PCM-0774	GOODS CODE		Draw	James	Date	2024/12/17
ITEM NO.		DRAWING EVIDENCE		Check		Date	
Goods NO.				Approval		Date	
Original NO.		Unit(mm)					

PREMIER CABLE MFG CO LTD	D		
	C		
	B		
	VER.A	REVISE	Date.