

# <sup>1</sup> Shenzhen LC Dynamics Technology Co., Ltd.

Contact: Amy lee TEL: 86 0755 89661875 Email: sales7@manygoodmotors.com

Address: 1-19D03, Building 1, Central Residence, No.36 Lanzhu West Road,  
Liuhe Community, Pingshan District, Shenzhen

## Specification 规格书

Product name 产品名称	TT motor gear box 马达齿轮箱			
Output shaft 输出轴	D Metal Double-Shaft 金属双轴	Date 日期	2022-10-28	
Gear ratio 齿轮比	1:90	Model NO. 型号	MJ-22ZC-RJ00-001	

1	Conditions of Standard Operation 工作条件	
1.1	Suggested Voltage 建议使用电压	3.0V DC Constant between motor terminals 马达端子电压 3.0V~6V 流恒压
1.2	Direction of rotation 回转方向	Bi-directions 双向转动
1.3	Gear box position 齿轮箱的放置状态	All directions 所有方向
1.4	Storage Humidity Range with the exception of gear box 齿轮箱的存储湿度范围	30%~70%
1.5	Operation temperature range with the exception of gearbox 齿轮箱的工作温度范围	+10°C~+50°C
1.6	Storage temperature Range with the exception of gearbox 齿轮箱的存储温度范围	-10°C~+40°C

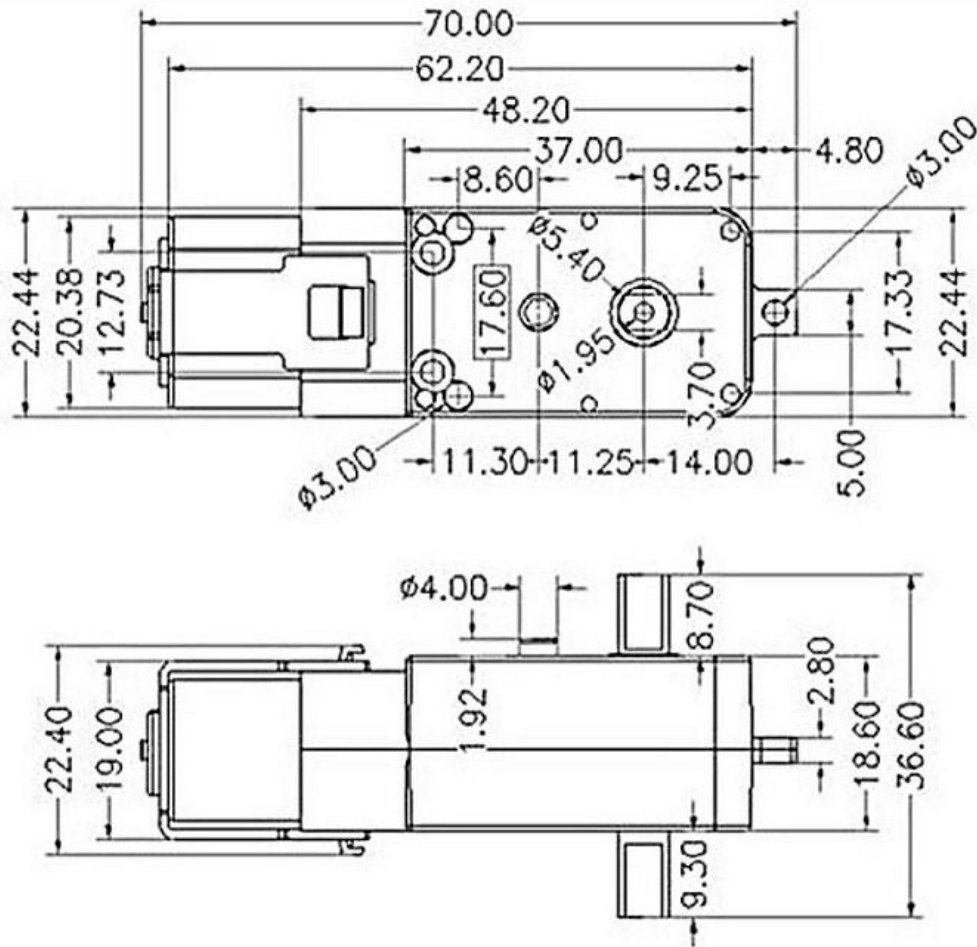
2	Gear box noise: 70dB (Max) 牙箱噪音: 70dB (Max)	Background noise: 35dB (Max) 环境噪音: 35dB (Max)
---	--	--

## 2 Shenzhen LC Dynamics Technology Co., Ltd.

Contact: Amy lee TEL: 86 0755 89661875 Email: sales7@manygoodmotors.com

Address: 1-19D03, Building 1, Central Residence, No.36 Lanzhu West Road,  
Lihu Community, Pingshan District, Shenzhen

### 3 Dimension 尺寸:



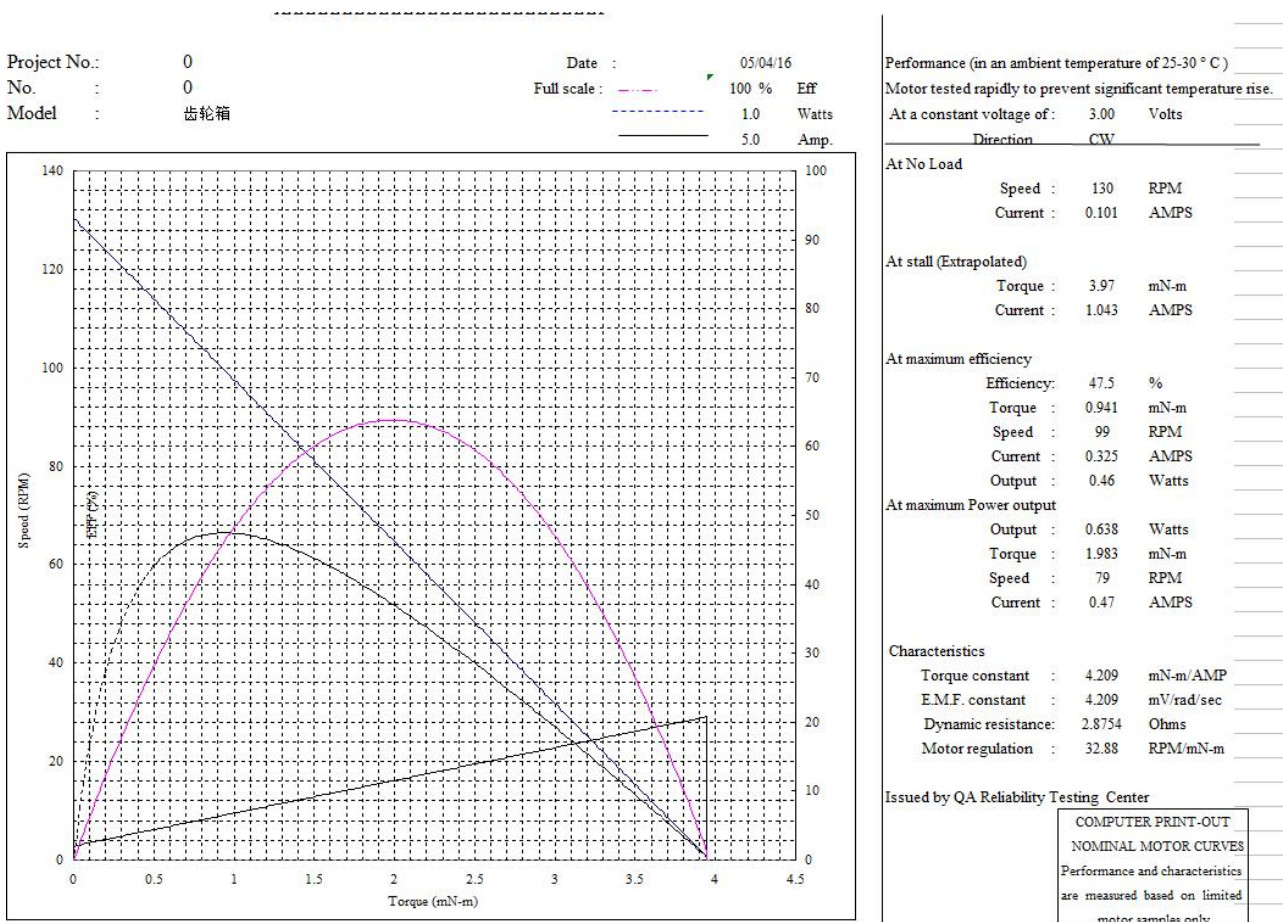
4	Life 寿命	
4.1	Load 负载	2.1mN.m
4.2	Environment 环境	25°C±5°C/65%±20% RH
4.3	Test Voltage: 测试电压	DC 3.0V
4.4	Test cycle 测试循环	
4.5	Life Expectancy 预期寿命	Text 208 cycle 实验进行 208 次循环

# 3 **Shenzhen LC Dynamics Technology Co., Ltd.**

Contact: Amy lee TEL: 86 0755 89661875 Email: sales7@manygoodmotors.com  
 Address: 1-19D03, Building 1, Central Residence, No.36 Lanzhu West Road,  
 Liuhe Community, Pingshan District, Shenzhen

5	Electrical Characteristics 电气性能 (DC 6V)	
5.1	No load Current 无负载电流	106mA
5.2	No load Speed 无负载速度	110±10% Rpm
5.3	Current under rated load 额定负载电流	115mA
5.4	Speed under rated load 额定负载转速	107±10% Rpm
5.5	Starting Voltage 起动电压	2.0V
5.6	Current by qualified test 检测牙箱合格电流	114mA (DC6V)

## 6. Characteristic curve of gear box 齿轮箱运转特性曲线图:



4 **Shenzhen LC Dynamics Technology Co., Ltd.**

Contact: [Amy lee](mailto:Amy_lee) TEL: 86 0755 89661875 Email: [sales7@manygoodmotors.com](mailto:sales7@manygoodmotors.com)

Address: 1-19D03, Building 1, Central Residence, No.36 Lanzhu West Road,  
Liuhe Community, Pingshan District, Shenzhen

---

7. Picture 产品图片

