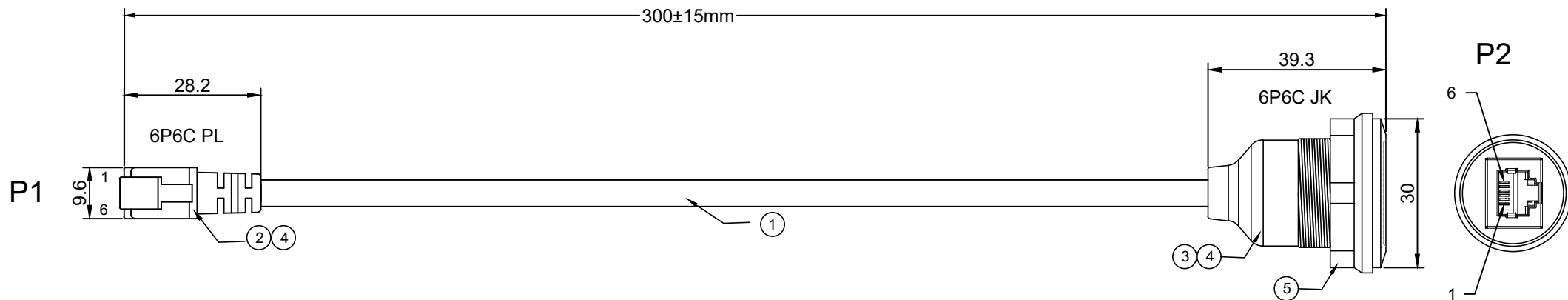


RoHS Compliant



PIN ASSIGNMENT

P1	-----	P2
1	-----	1
2	-----	2
3	-----	3
4	-----	4
5	-----	5
6	-----	6
S	-----	S

5	NUT BLACK PVC 27P MOLDED.	
4	OVERMOLD BLACK PVC 45P MA-001.	
3	6P6C JK BLACK PBT WITH NICKLE PLATED SHELL.	
2	6P6C PL WITH NICKLE PLATED SHELL.	
1	UL2464 28AWG*6C+AE OD:4.0MM BLACK PVC JACKET.	
NO.	Description	P/N

NOTES:
 1. PIN ASSIGNMENT SEE TO WIRE LIST.
 2. ELECTRICAL TEST CONDITION:
 (a).100%OPEN,SHORT & MISWIRE TEST,
 (b). INSULATOR RESISTANCE:10 Mohm MIN.
 DC 300V 0.01sec.
 (c). CONTACT RESISTANCE:3ohm MAX.

DWG NO:	PCM-0378	GOODS CODE		Draw	James	Date	2021/6/10
ITEM NO.		DRAWING EVIDENCE		Check		Date	
Goods NO.				Approval		Date	
Original NO.		Unit(mm)					

PREMIER CABLE MFG CO LTD	D		
	C		
	B		
	VER.A	REVISE	Date.