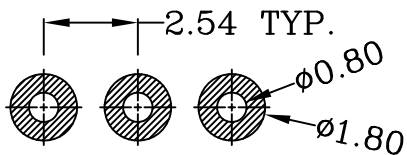
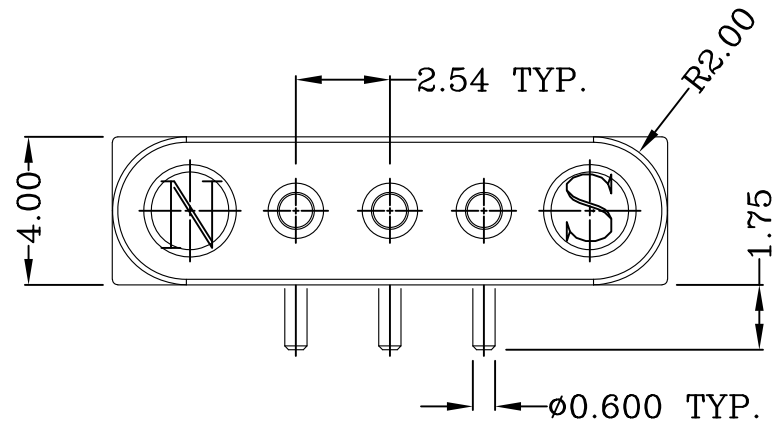
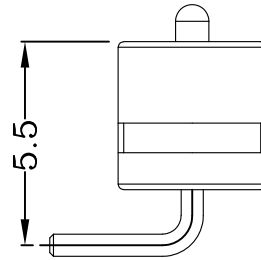
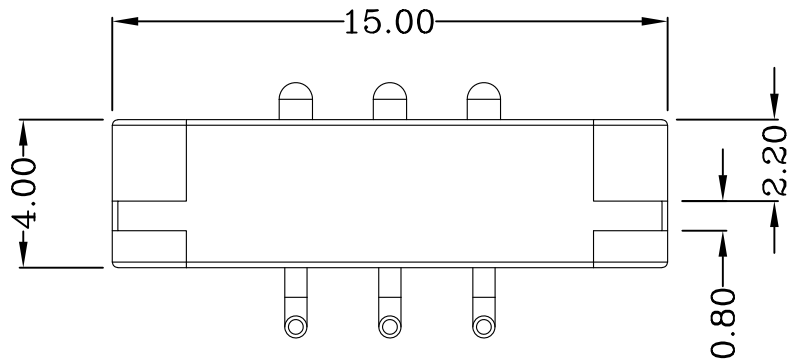


RoHS
Compliant



Recommended PCB Layout
(Component Side.Tol.:±0.05)

NO	Item Name	Q'ty	Material	Finish
1	Plunger	3	Copper Alloy:Brass	Gold over Nickel plating
2	Body	3	Copper Alloy:Brass	Gold over Nickel plating
3	Spring	3	Stainless Steel Wire	———
4	Housing	1	High Temp. Plastics Black	———
5	Magnet	2	NdFeB	Nickel plating

Notes:

- 1 Total Stroke: 0.9 mm
- 2 Mechanical
 - 2.1 Spring force: 50±15gf per pin@0.9mm stroke
 - 2.2 Durability: 20000 cycles min.
- 3 Electrical
 - 3.1 Contact Resistance: 30mOhm Max.
 - 3.2 Current rating: 2.0A
 - 3.3 Voltage rating: 36VDC Max.
 - 3.4 Insulation Resistance: 500Mohm Min. @500VDC
 - 3.5 Dielectric Withstanding Voltage: 500VAC 1 minute
- 4 Environmental
 - 4.1 Operating and Storage temperature: -30°C~+65°C
- 5 RoHS Compliant

REV.	ECN NO. /CHANGE DESCRIPTION	DATE
X1	Proposal	2020.9.5

GENERAL TOLERANCES (Unless Specified)		SHENZHEN YIWEI TECHNOLOY CO.,LTD			
.0 ± 0.15	.00 ± 0.10	CUSTOMER DWG	TITLE Magnet Pogo Connector 3Pin 2.54Pitch Right Angle		
.000 ± 0.05	Angle ± 2°				
THIS DRAWING IS CONFIDENTIAL AND COPYRIGHT PROPERTY OF ANLINK. NO FURTHER DISCLOSURE PERMITTED TO OTHER COMPANY BY YOU WITHOUT ANLINK WRITTEN AUTHORIZATION.		DRAWN: Ivan	2020.9.5	DWG NO.	PART NO.
		CHK'D: SH	2020.9.5	C-8100425A3	MG03254M-RA
		APP'D: Ben	2020.9.5	SCALE	SHEET
SIZE	UNIT				
A4	mm				



1:1 1/1 X1