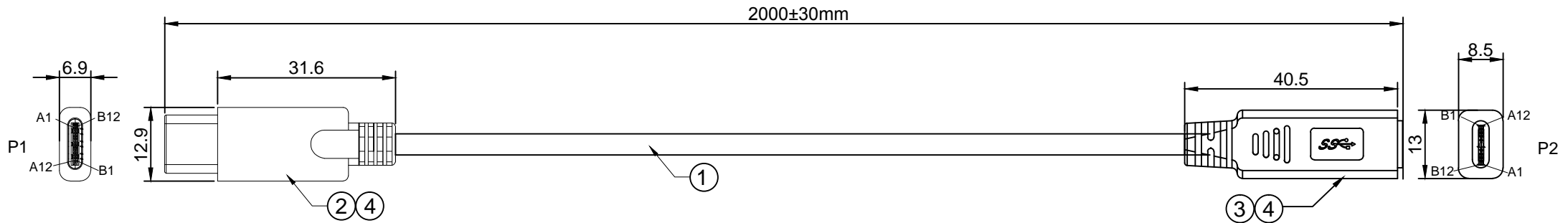
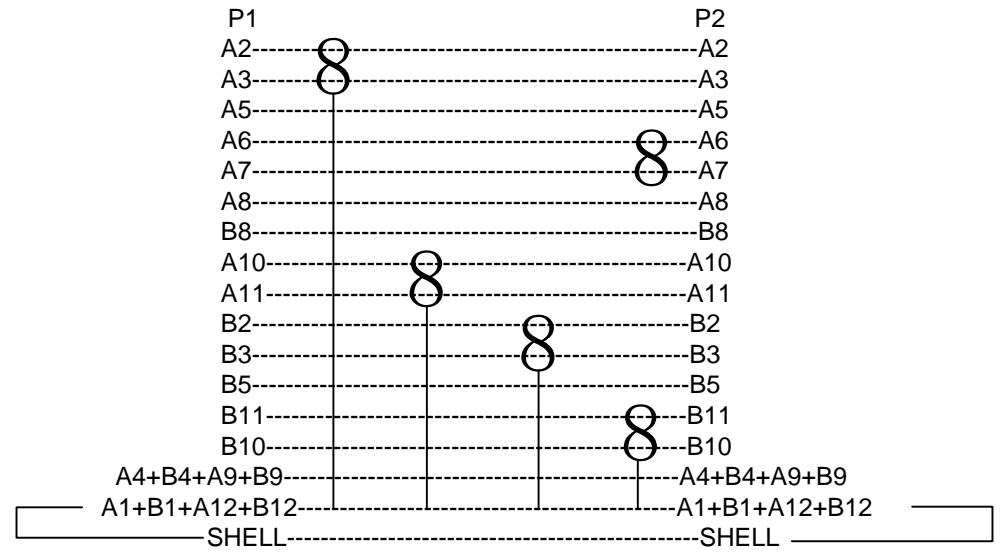


RoHS Compliant



- NOTES:
- PIN ASSIGNMENT SEE TO WIRE LIST.
  - ELECTRICAL TEST CONDITION:
    - 100% OPEN, SHORT & MISWIRE TEST,
    - INSULATOR RESISTANCE: 10 Mohm MIN.  
DC 300V 0.01sec.
    - CONTACT RESISTANCE: 3ohm MAX.

PIN ASSIGNMENT



4	OVERMOLD BLACK PVC 45P MA-001.	
3	USB3.1 C TYPE FEMALE BLACK INSULATOR SOLDER TYPE.	
2	USB3.1 C TYPE MALE BLACK INSULATOR SOLDER TYPE.	
1	(31AWG*1C+EAM)*4+32AWG*1P+32AWG*4C+24#*1C+2EAB(85%) OD:4.8MM L:610mm BLACK PVC JACKET UL2725.	
NO.	Description	P/N

DWG NO:	PCM-0301	GOODS CODE		Draw	Jason	Date	2021/8/07
ITEM NO.		DRAWING EVIDENCE		Check		Date	
Goods NO.				Approval		Date	
Original NO.		Unit(mm)					

PREMIER CABLE MFG CO LTD			D		
			C		
			B		
			VER.A	REVISE	Date.