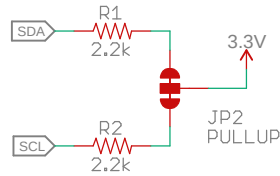
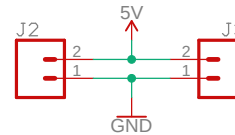


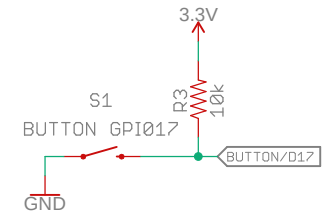
### Pullup Jumper



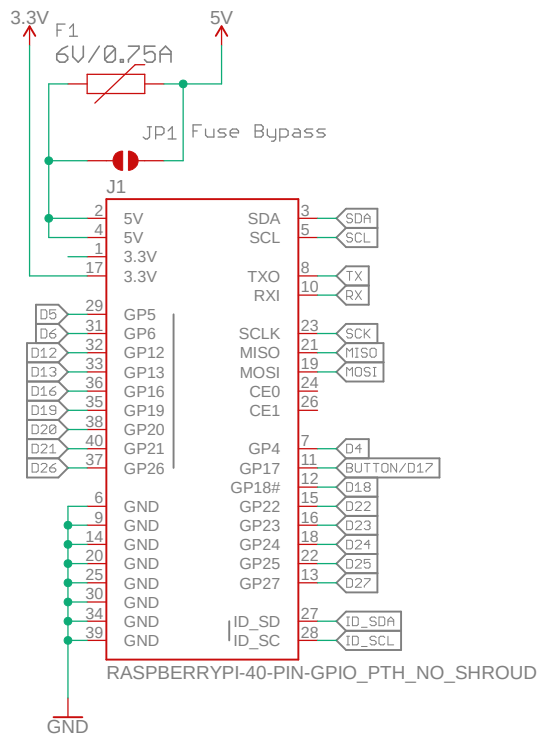
### 5V Power Connector



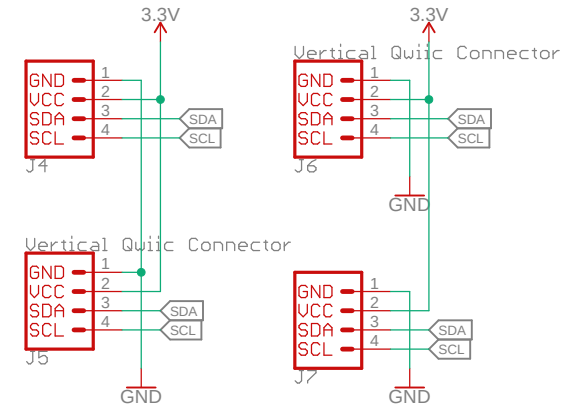
### Button-GPI017



### Raspberry Pi Connector



### Qwiic Connectors



**sparkfun**

Released under the Creative Commons

Attribution Share-Alike 4.0 License

<https://creativecommons.org/licenses/by-sa/4.0/>



TITLE: Qwiic\_pHat\_for\_Raspberry\_Pi

Design by: N. Seidle

Revision By: A. England/Elias Santistevan

REV:

v30

Date: 1/15/2020 2:44 PM

Sheet: 1/1