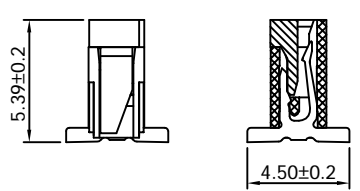
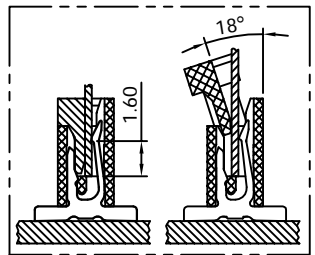
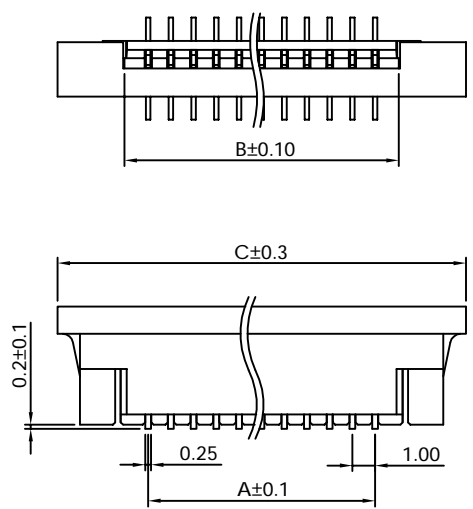


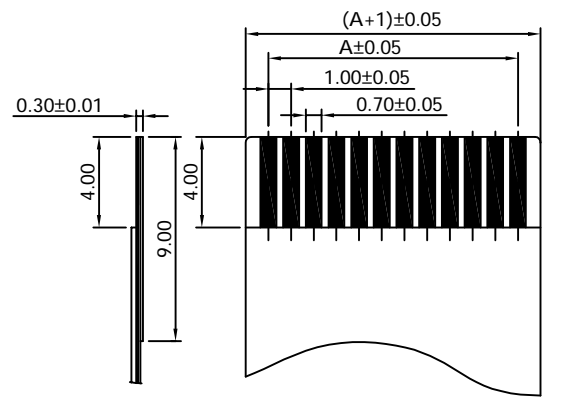
NO.	A	B	C
04	3.0	5.07	11.0
05	4.0	6.07	12.0
06	5.0	7.07	13.0
07	6.0	8.07	14.0
08	7.0	9.07	15.0
09	8.0	10.07	16.0
10	9.0	11.07	17.0
11	10.0	12.07	18.0
12	11.0	13.07	19.0
13	12.0	14.07	20.0
14	13.0	15.07	21.0
15	14.0	16.07	22.0
16	15.0	17.07	23.0
17	16.0	18.07	24.0
18	17.0	19.07	25.0
19	18.0	20.07	26.0
20	19.0	21.07	27.0
21	20.0	22.07	28.0
22	21.0	23.07	29.0
23	22.0	24.07	30.0
24	23.0	25.07	31.0
25	24.0	26.07	32.0
26	25.0	27.07	33.0
27	26.0	28.07	34.0
28	27.0	29.07	35.0
29	28.0	30.07	36.0
30	29.0	31.07	37.0
31	30.0	32.07	38.0
32	31.0	33.07	39.0

環保物料專用  
RoHS compliant

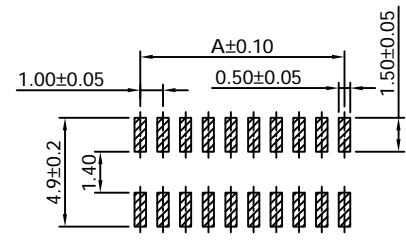


**SPECIFICATIONS**  
 Current rating :0.5 Amp  
 Voltage rating :50V AC/DC  
 Temperature range :-20°C~+85°C  
 Contact resistance :20mΩ Max  
 Insulation resistance :500MΩ Min  
 Withstanding voltage:500VAC/minute  
 Contact :Phosphor Bronze  
 Holddown :Copper Alloy  
 Terminal Plating :Tin or Matte Tin Plated Over Nickel  
 Insulator :LCP UL94V-0  
 Actuator :LCP UL94V-0

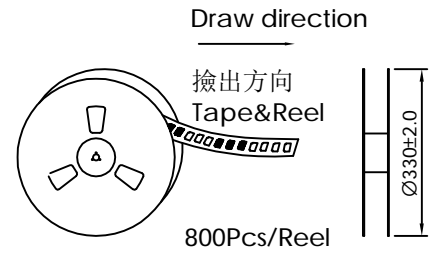
**Ordering Information**  
CF1006-XXX-M01-X



FFC/FPC Dimension(Thickness 0.30 mm)



(Tolerance:0.05)  
Recommended PCB Layout



**KAWEEI TECHNOLOGY**

**A4** SCALE(比例): 1:XX

THIRD ANGLE PROJECTION

DESCRIPTION(內容):  
1.0mm Pitch FPC W/Zif SMT Type

PART NO:  
(料號) CF1006-XXX-M01-X

DWG NO(圖號): KWRD160413-174

DRAWN(製圖):  
**Tom Liu**

CHECKED(確認):  
**Jack Wu**

APPROVAL(核准):  
**Kane He**

REV:	REV	DESCRIPTION	DATE
A/2	1	ORIGINAL	Apr-13-2016
mm	2	Modify Drawing	JUL-15-2020
SHEET:	3		
1/1	4		