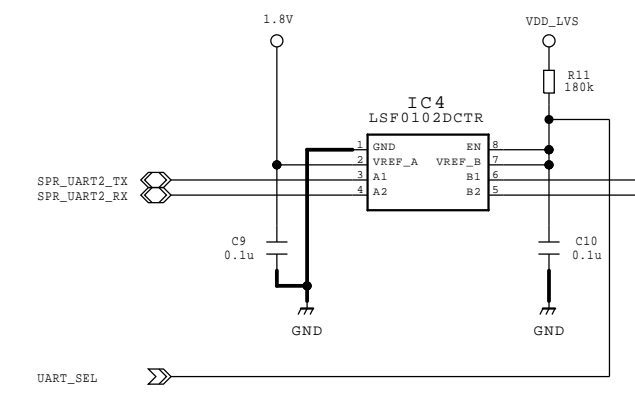
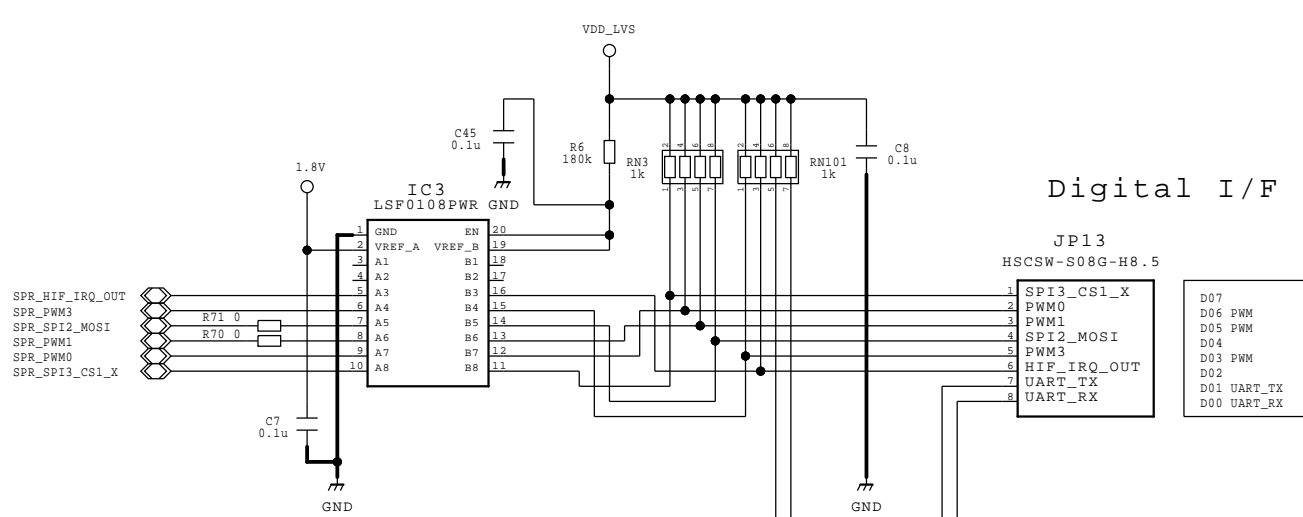
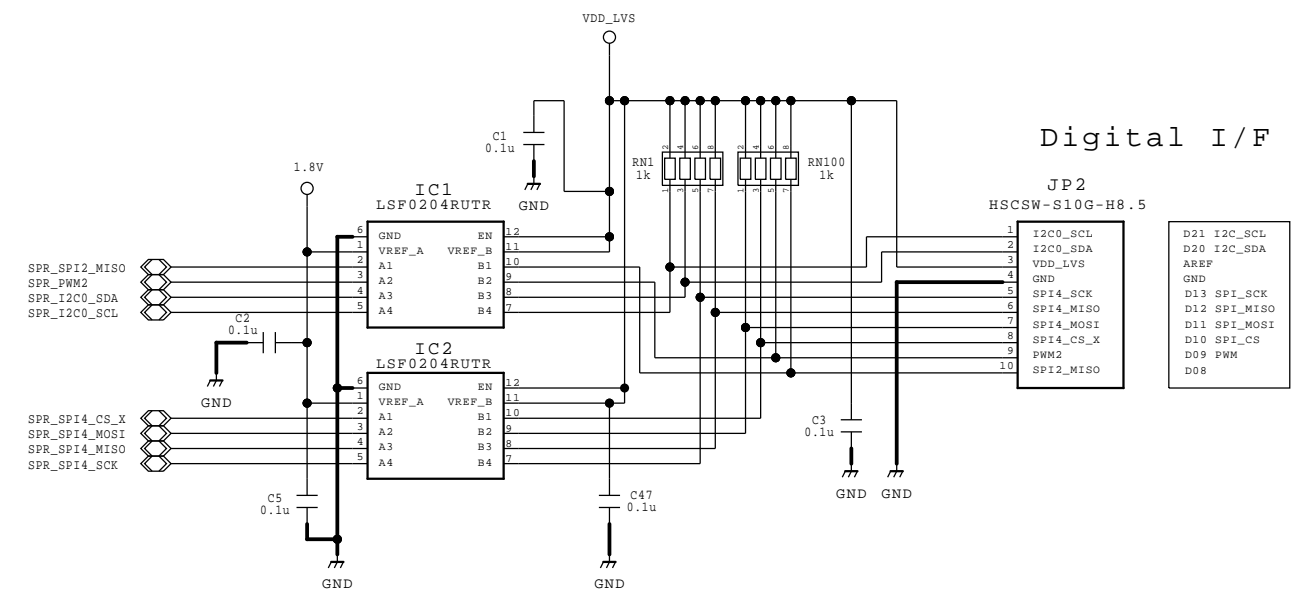
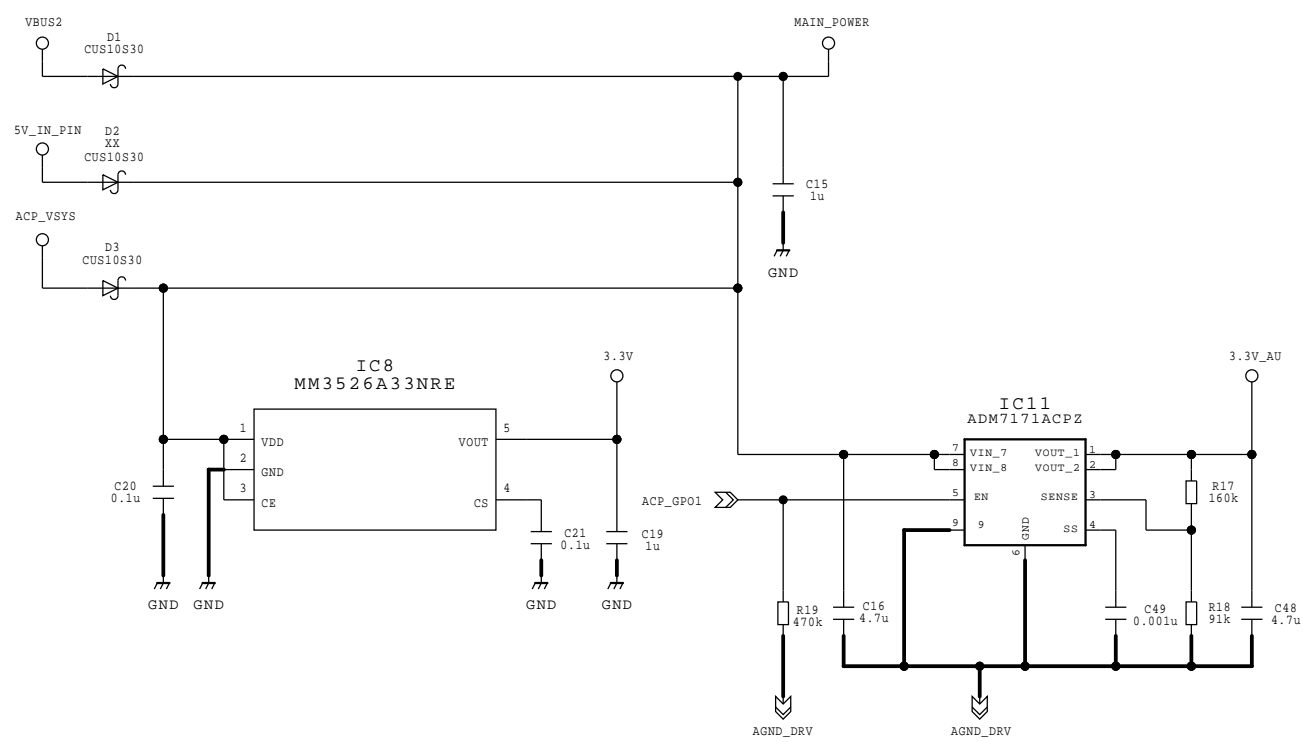
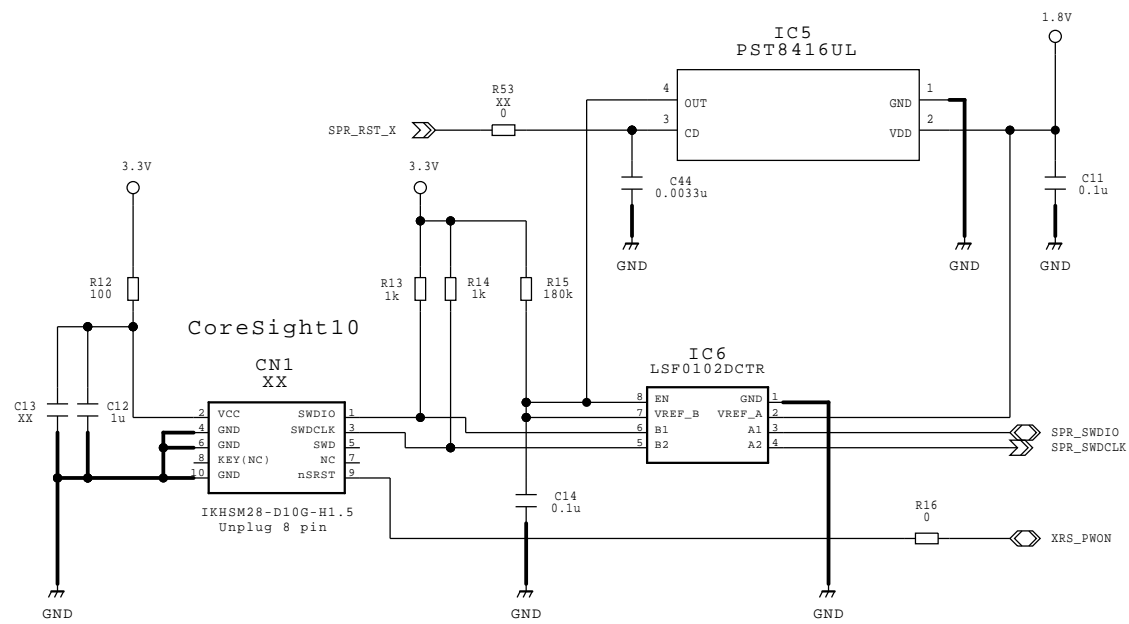


A
B
C
D
E
F



Note) "XX" stands for NM

△ x △ x △ x	GENERAL TOLERANCE		DATE OF ISSUE	
			DOCUMENT TYPE	
			CIRCUIT DIAGRAM	
HISTORY X COUNT		SUFFIX /REPL.	RELEASE NO. DATE	REVISION
LEGAL OWNER			MATERIAL(COLOR)	FINISH(COLOR) 2018.7.9
RESPONSIBLE DEPARTMENT		SIZE A3	UNIT mm	ORIGINAL MODEL SPRESENSE
DESCRIPTION (E) Extension Board (CXD5602PWBEXT1)		PLANNED BY	CHECKED BY	APPROVED BY
DESCRIPTION (J)		SCALE :	TENTATIVE MODEL	TENTATIVE PART NO.
PART NO.		PRJ.METHOD ⊕	SHEET/PAGES 1/7	

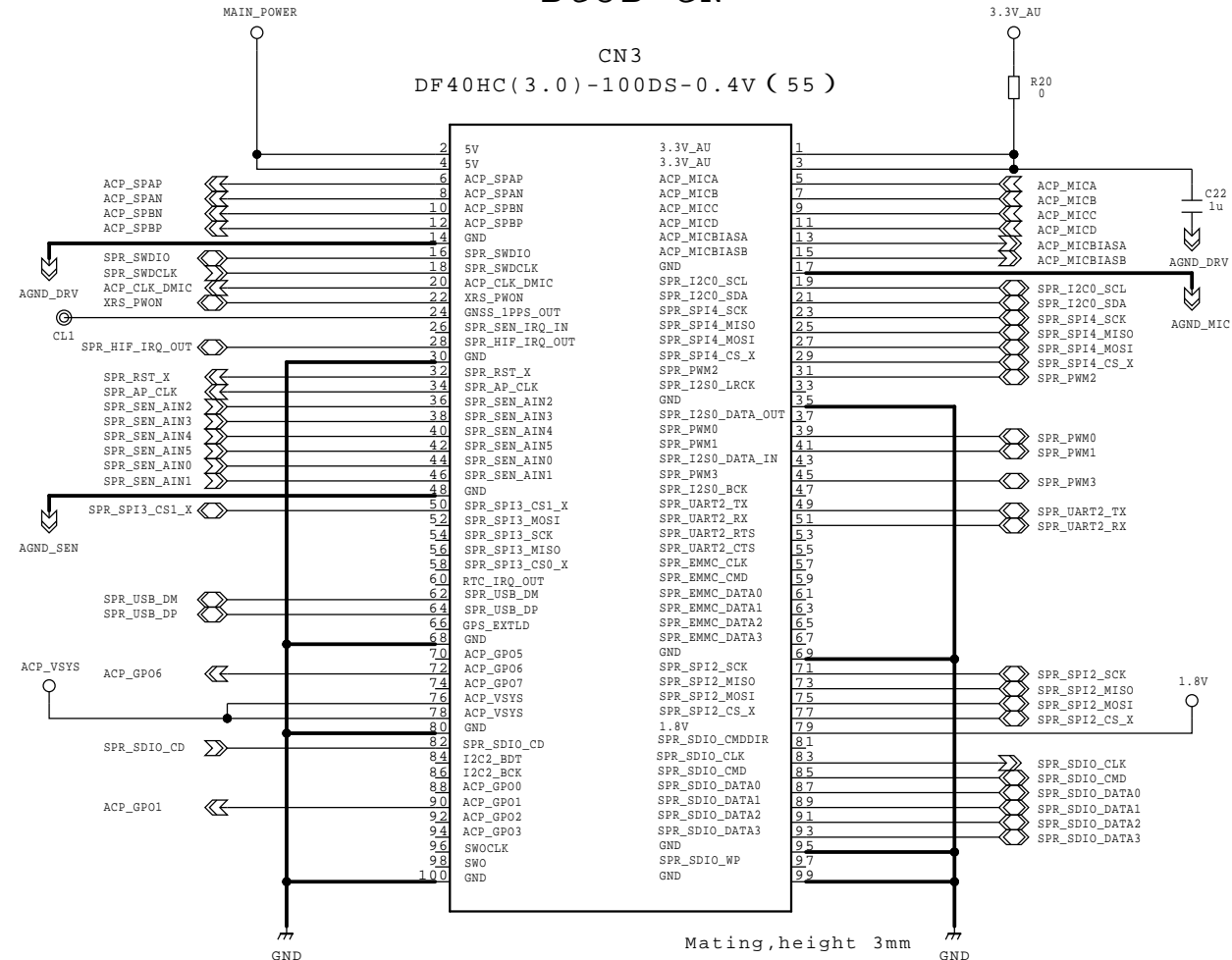


ALL resistors are in ohms, unless otherwise noted.

ALL capacitors are in uF(p.pF) unless otherwise noted.

ORIGINAL MODEL	SPRESENSE	
DESCRIPTION	Extension Board (CXD5602PWBEXT1)	
PART NO.	2018.7.10	SHEET 2/7

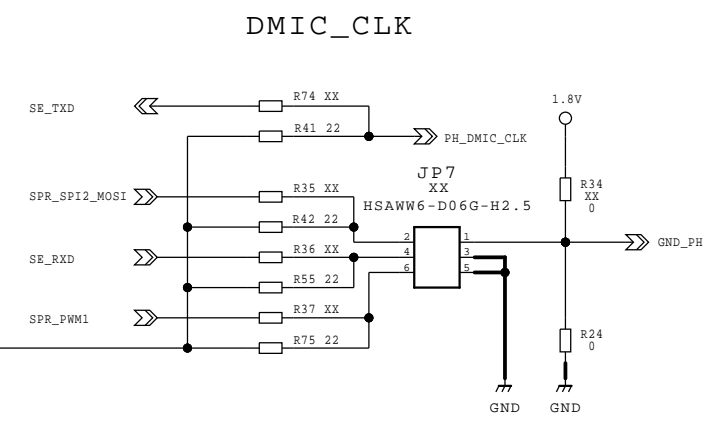
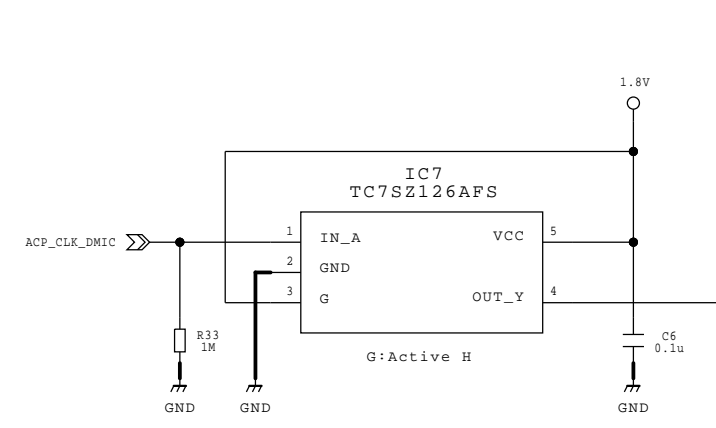
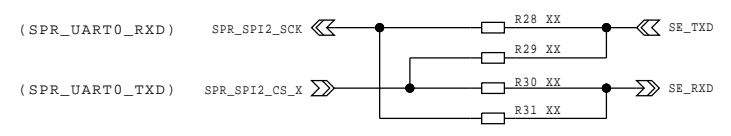
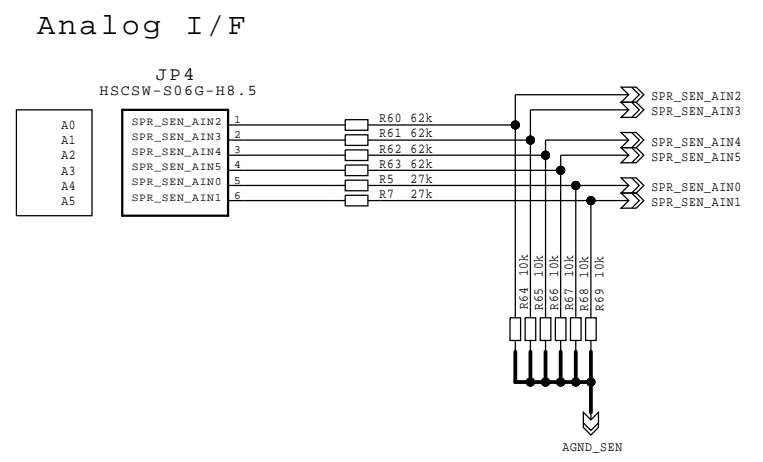
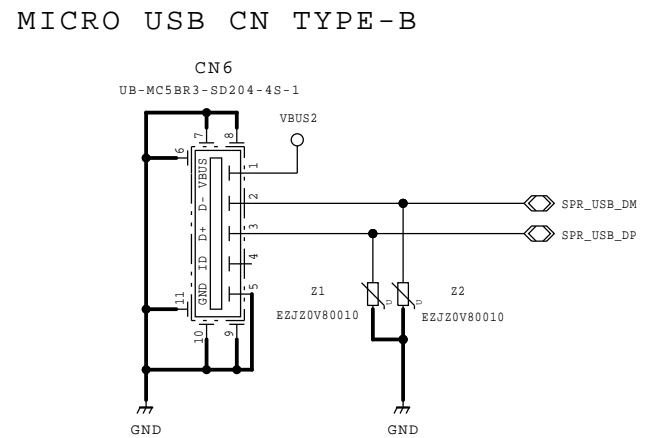
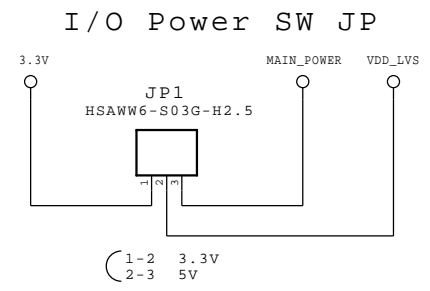
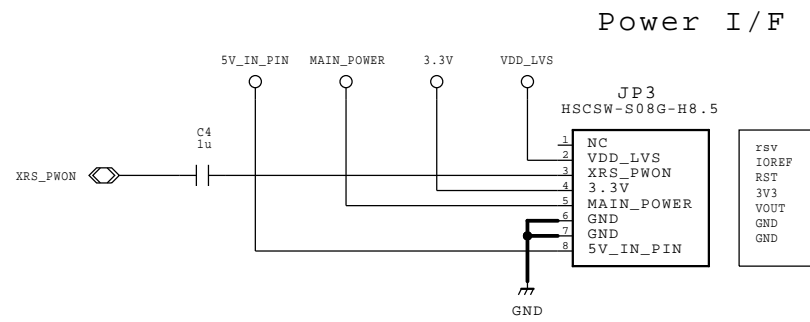
BtoB CN



Mating,height 3mm

ALL resistors are in ohms, unless otherwise noted.
ALL capacitors are in uF(p.pF) unless otherwise noted.

ORIGINAL MODEL	SPRESENSE	
DESCRIPTION	Extension Board (CXD5602PWBEXT1)	
PART NO.	2018.7.10	SHEET
		3 / 7



ALL resistors are in ohms, unless otherwise noted.

ALL capacitors are in uF(p.pF) unless otherwise noted.

ORIGINAL MODEL	SPRESENSE	
DESCRIPTION	Extension Board (CXD5602PWBEXT1)	
PART NO.	2018.7.10	SHEET
		4 / 7

A

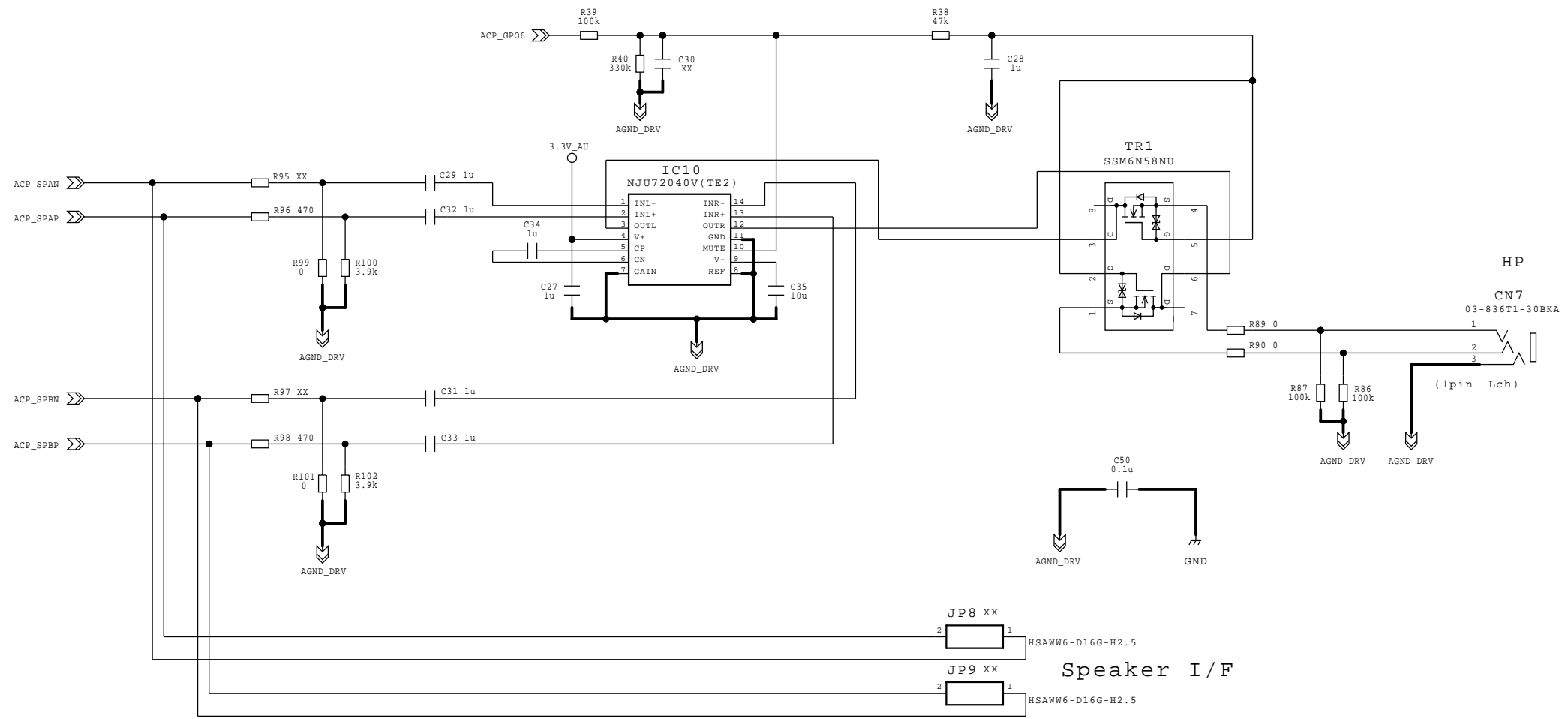
B

C

D

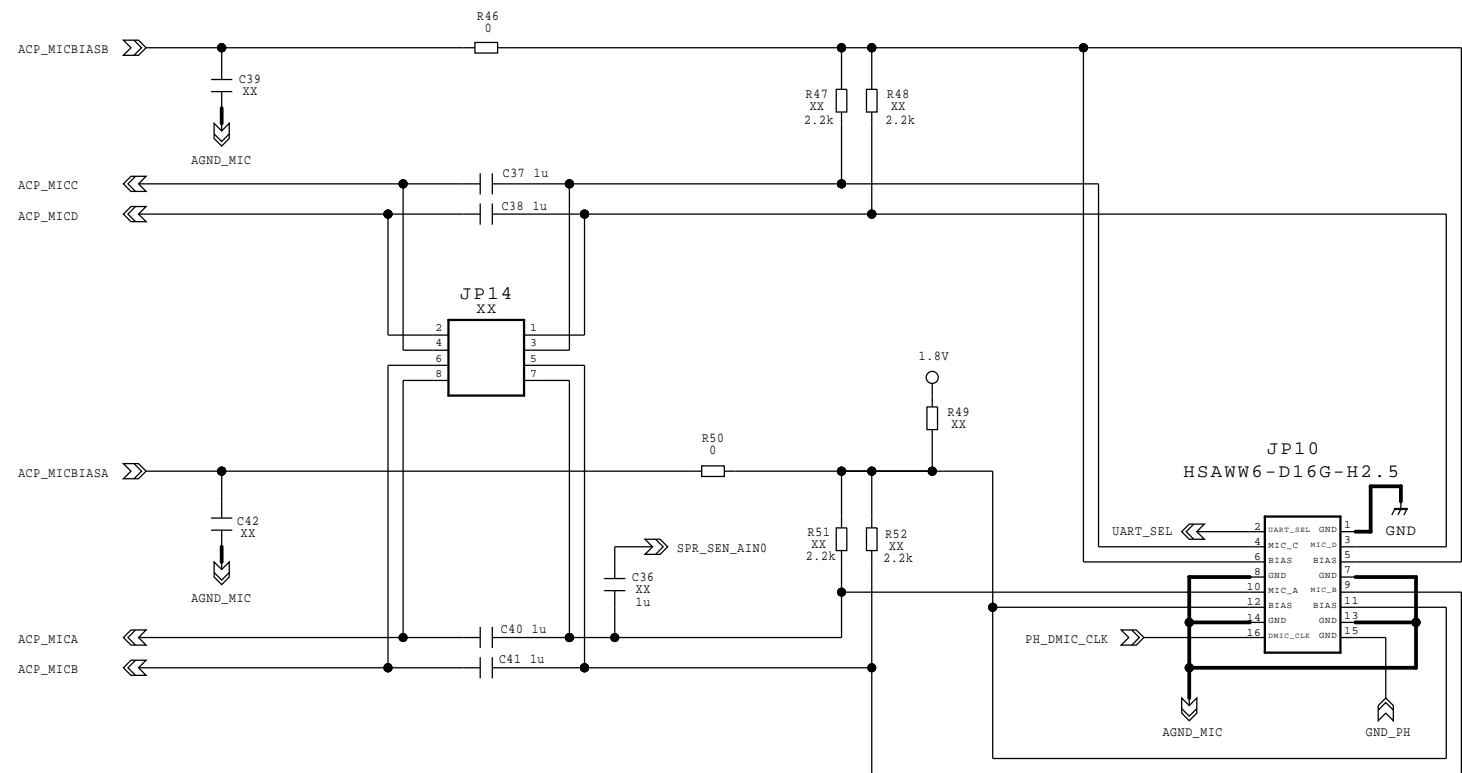
E

F



ALL resistors are in ohms, unless otherwise noted.
 ALL capacitors are in uF(p.pF) unless otherwise noted.

ORIGINAL MODEL	SPRESENSE	
DESCRIPTION	Extension Board (CXD5602PWBEXT1)	
PART NO.	2018.7.10	SHEET
		5/7



Microphone I/F

ALL resistors are in ohms, unless otherwise noted.
 ALL capacitors are in uF(p.pF) unless otherwise noted.

ORIGINAL MODEL	SPRESENSE	
DESCRIPTION	Extension Board (CXD5602PWBEXT1)	
PART NO.	2018.7.10	SHEET
		7/7