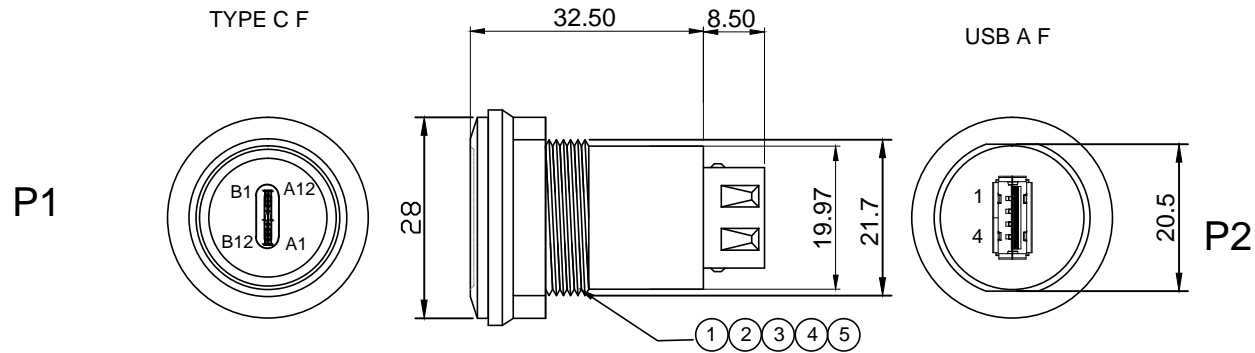
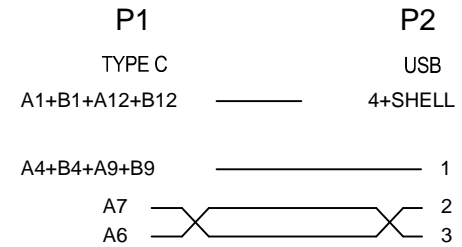


RoHS Compliant



PIN ASSIGNMENT



|     |   |     |
|-----|---|-----|
| 5   | NUT BLACK PVC 27P MOLDED.                             |     |
| 4   | PVC 45P BLACK.  |     |
| 3   | USB A F WHITE PBT WITH NICKLE PLATED SHELL G/F.       |     |
| 2   | TYPE C F BLACK PBT WITH NICKLE PLATED SHELL G/F.      |     |
| 1   | MICRO USB B F BLACK PBT WITH NICKLE PLATED SHELL G/F. |     |
| NO. | Description   | P/N |

NOTES:  
 1. PIN ASSIGNMENT SEE TO WIRE LIST.  
 2. ELECTRICAL TEST CONDITION:  
 (a).100%OPEN,SHORT & MISWIRE TEST,  
 (b). INSULATOR RESISTANCE:10 Mohm MIN.  
 DC 300V 0.01sec.  
 (c). CONTACT RESISTANCE:3ohm MAX.

|              |          |                  |  |          |  |      |           |
|--------------|----------|------------------|--|----------|--|------|-----------|
| DWG NO:      | PCM-0171 | GOODS CODE       |  | Draw     |  | Date | 2019/3/30 |
| ITEM NO.     |          | DRAWING EVIDENCE |  | Check    |  | Date |           |
| Goods NO.    |          |                  |  | Approval |  | Date |           |
| Original NO. |          | Unit(mm)         |  |          |  |      |           |

|                          |       |        |       |
|--------------------------|-------|--------|-------|
| PREMIER CABLE MFG CO LTD | D     |        |       |
|                          | C     |        |       |
|                          | B     |        |       |
|                          | VER.A | REVISE | Date. |