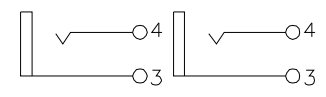
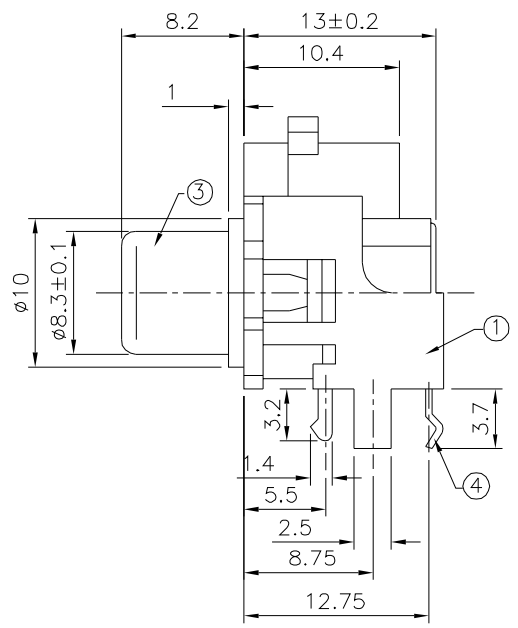
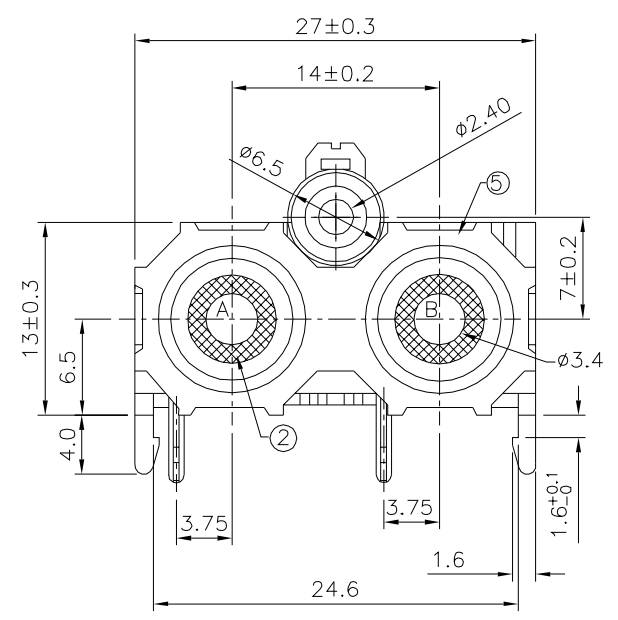


PCB Layout(Top View)



Schematic

Ring Color	
A	B
White	Red

No.	Part Name	Material	Q'ty	Finish
⑤	Cover	ABS	1	Black
④	Terminal	Brass	2	CuSn Plated
③	Socket	Brass	2	CuSn Plated
②	Ring	PBT	2	
①	Body	ABS	1	

4UCON 元化興業股份有限公司
4UCON TECHNOLOGY INC.

DRAWING No.		APPROVED BY		UNLESS OTHERWISE SPECIFIED TOLERANCES ARE ~03 ±0.1 03~06 ±0.15 06~15 ±0.2 15~50 ±0.25 50~ ±0.3
20950		MEI		
		CHECKED BY HZF		
		DRAWING BY XYH		
SCALE	NONE	REV.	A0	UNIT mm

△ A0	NEW RELEASE	HZF	07/03/2016
NO. REV.	REVISIONS	CHK	DATE