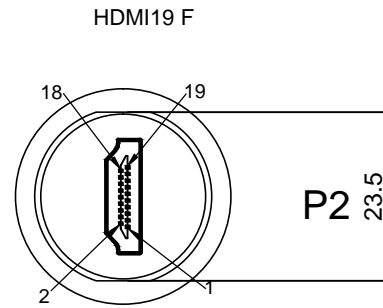
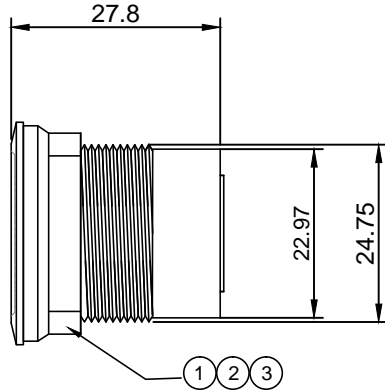
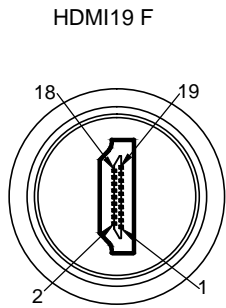


P1



P2

23.5

PIN ASSIGNMENT

P1	P
1-----	1
2-----	2
3-----	3
4-----	4
5-----	5
6-----	6
7-----	7
8-----	8
9-----	9
10-----	10
11-----	11
12-----	12
13-----	13
14-----	14
15-----	15
16-----	16
17-----	17
18-----	18
19-----	19
S-----	S

NOTES:

1. PIN ASSIGNMENT SEE TO WIRE LIST.
2. ELECTRICAL TEST CONDITION:
  - (a).100%OPEN,SHORT & MISWIRE TEST,
  - (b). INSULATOR RESISTANCE:10 Mohm MIN.  
DC 300V 0.01sec.
  - (c). CONTACT RESISTANCE:3ohm MAX.

3	NUT BLACK PVC 27P MOLDED.	
2	PVC 45P BLACK.	
1	HDMI 19F BLACK PBT WITH GOLD PLATED SHELL.	
NO.	Description	P/N

DWG NO:	PCM-0153	GOODS CODE		Draw		Date	2019/3/10
ITEM NO.		DRAWING EVIDENCE		Check		Date	
Goods NO.				Approval		Date	
Original NO.		Unit(mm)					

<p>PREMIER CABLE MFG CO LTD</p>	D		
	C		
	B		
	VER.A	REVISE	Date.