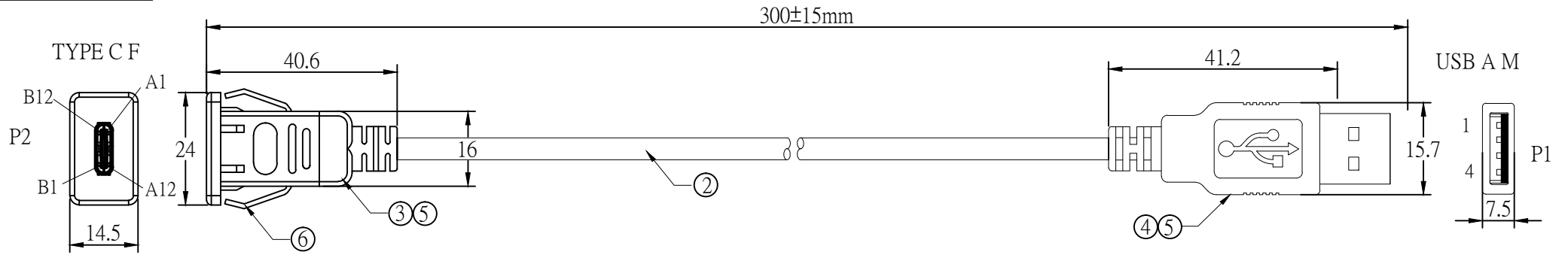
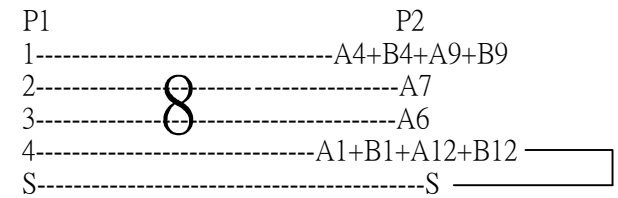


RoHS Compliant



OPEN/SHORT TEST: 100% TEST  
INSULATION: 5M.

PIN ASSIGNMENT



6	ABS BLACK.	10g
5	OVERMOLD BLACK PVC 45P MA-001.	18g
4	USB2.0 A M WHITE INSULATOR SOLDER TYPE.	1PCS
3	USB3.1 C TYPE SOCKET BLACK INSULATOR SOLDER TYPE.	1PCS
2	28AWG*1P+24AWG*2C+EAB(65%) OD:4.5MM L:300mm BLACK PVC JACKET UL2725.	1PCS
1	Description USB-C Snap In	Q'ty

Company		Goods Code		Draw		Date	2018.12.07
ITEM NO.	TYPE C F-USB A M-30cm	Drawing Evidence:		Check		Date	
Goods NO.	C11606-001			Approval		Date	
Original NO.		Unit(mm)		Audit		Date	

Premier Cable

D		
C		
B		
VER.	REVISE	Date