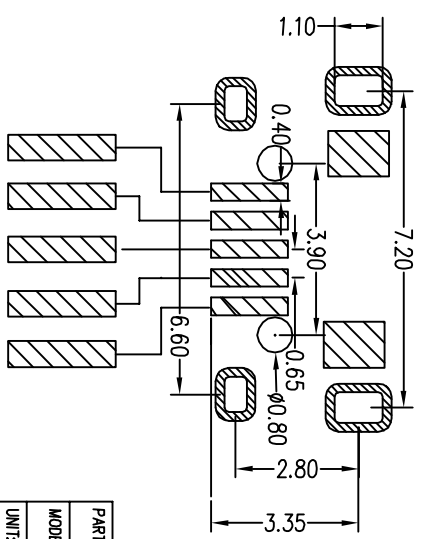
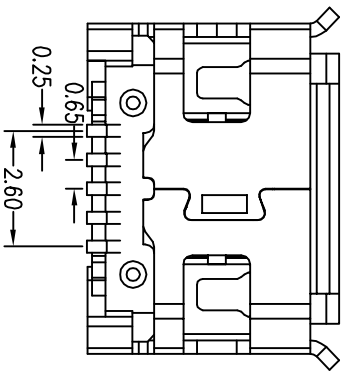
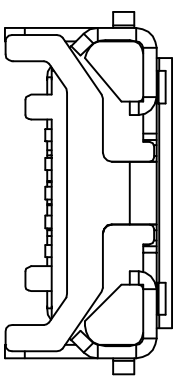
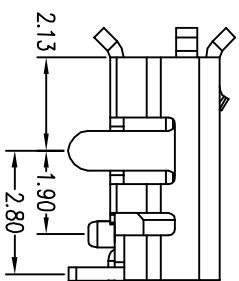
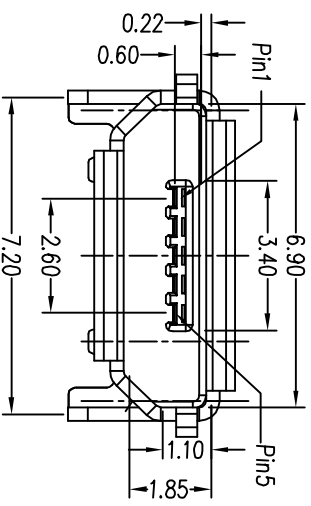
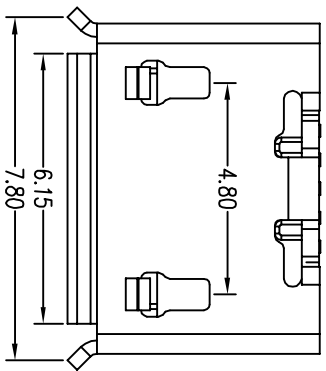


REV.	EQN NO	LOCATIONS	DESCRIPTION	DATE	REVISER	APPD



- Notes:
1. Materials:
- 1.1 Housing: High temperature thermoplastic with g.f. UL94 V-0.
 - 1.2 Contact: copper alloy, t=0.15mm.
 - 1.3 Shell: copper alloy, t=0.30mm.
2. Specifications:
- 2.1. Current rating: 1 A Max.
 - 2.2. Dielectric withstanding voltage: 100 V(ac) for 1 min.
 - 2.3. Contact resistance: 50 mW Max.
 - 2.4. Insulation resistance: 100 MW Min.
 - 2.5. Total mating force: 3.57 Kgf Max.
 - 2.6. Total unmating force: 1.0 Kgf Min. 0.81~2.05 Kgf Min. after 10000 Insertion/extraction cycles
 - 2.7. Temperature range: -30°C~+80°C

PART NO:	98-MB05PMXX-01	MATERIAL:	
MODEL NO:	FD098	FINSH:	
UNIT:	MM	SIZE:	A4
TOLERANCE UNSPECIFIED		DR:	
.x	±0.25	CHK:	
.xx	±0.10	APP:	
.xxx	±0.05	SCALE:	1:1
ANG.	±1°	SHEET:	2008/12/18
TITLE:		DWG NO:	
MIRCO USB 5S B TYPE牛角型 D I P6.6/7.2		REV:	A