

SPECIFICATION FOR APPROVAL

承认书

Customer (客户) : _____ AQS
Product Name (产品名称) : _____ Speaker
Sheng Qun Part No. 盛群型号: _____ SQY40LA004009T-R-02
Specification (规格) : _____ 4 Ω 3W
Customer' s Model No. (客户型号): _____
Specification No. (规格书编号): _____ SQ-PS-18091901
Number of the edition (版本号) : _____ A0

CUSTOMER' S APPROVED SIGNATURE 客户承认盖章		



DONG GUAN CITY SHENG QUN ELAC. TECH. CO.,LTD

ADD: NO. 31, ShengYe Road of TianMei North District, HuangJiang town,
DongGuan City, GuangDong Provinc

Approved by 核准	Checked by 审核	Issued by 制成

SPECIFICATION FOR APPROVAL**承认书**PAGE NO.
页码**4/8**PART . NO.
产品型号

SQY40LA004009T-R-02

C、适用范围 SCOPE

This specification applies speaker, SQY40LA004009T-R-02

此规格书适用于喇叭, SQY40LA004009T-R-02

D、GENERAL SPECIFICATIONS 一般规格

NO.	Item	Symbol	Unit	Specification	Condition
1	Dimension 尺寸		mm	Φ40.0×21H	
2	Rate/Max Power Rating 额定/最大功率		W	Rate 3/Max.4	Max. Power:IEC-60268-5 Filter 60s On/120s Off 10 Cycles(Room TEMP.)
3	Impedance 阻抗	Ω	Ohm	4±15%	At1.0kHz 1.0V
4	Resonance Frequency 谐振频率	Fo	Hz	140±20%	At 1.0V
5	Output S.P.L 输出音压	S.P.L	dB	92±3dB	0.1M/0.1W at1.0k,1.2k,1.5k,2.0kHz average
6	Frequency Rang 有效频宽		Hz	Fo—20K	Output S.P.L -10dB 输出音压-10dB
7	Max Distortion 最大失真		%	7%	At 1.0kHz 1.0V
8	Magnet Material 磁铁材质		mm	Nd-Fe-B	
9	Storage temp 贮存温度		℃	-20~+ 55℃	
10	Operate temp 工作温度		℃	-20~+ 55℃	
11	Buzze&Rattle 异常音				Not be audible at 3.46V sine wave between Fo~20kHz 输入 3.46V 正弦 波 Fo 到 20kHz 之间无异常 音
12	Protection Regulation 环保法规			RoHS	

SPECIFICATION FOR APPROVAL

承认书

PAGE NO.
页码

5/8

PART .NO.
产品型号

SQY40LA004009T-R-02

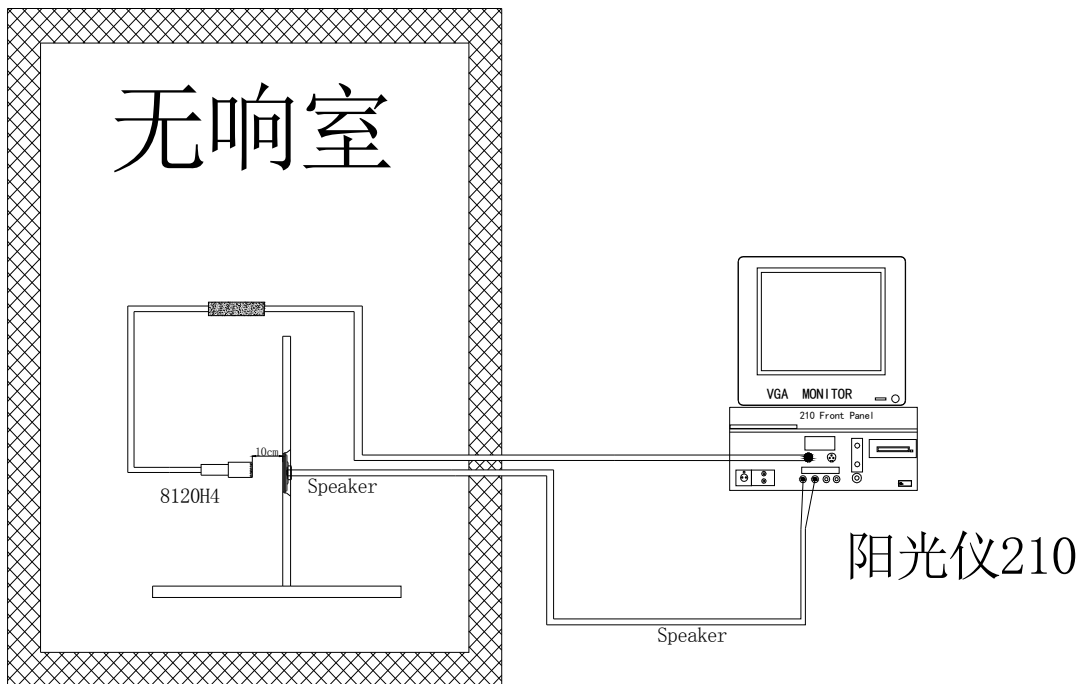
E、TYPICAL FREQUENCY RESPONSE CURVE

频率响应曲线



F、MEASUREMENT CIRCUIT

测量线路



5.5M*5.5M*H3M(长宽高)

SPECIFICATION FOR APPROVAL

承认书

PAGE NO.
页码

6/8

PART . NO.
产品型号

SQY40LA004009T-R-02

G、MECHANICAL CHARACTERISTICS 机械特性

NO	Item	Test condition	Evaluation standard
1	Vibration Test 振动测试	Speaker shall be measured after being applied vibration of amplitude of 1.5mm with 10 to 55Hz band of vibration frequency to each of 3 per-pendicular directions for 2 hours. 振动周波数 10~55Hz, 全振幅 1.5mm 于 X, Y, Z 3 个方向各 2 个小时	No obstacle to be harmful to normal operation ; Damages,cracks,rusts and distortions. Should not be audible at 3.46V sinewave between FO~20kHz
2	Drop Test 跌落测试	Drop the speakers contained in normal box onto the board 40mm thick 10 times from the height of 75cm 将扬声器置于盒中, 自 75 公分高度落在 40mm 的木板上共 10 次	测试后无任何障碍妨碍正常操作, 且在输入 3.46V 正弦波从 Fo 到 20kHz 之间无异常音。
3	Solderability 焊锡附着性 (connector excepted) 端子类不适合用此项	Stripped wire of lead wire are immersed in rosin For 5 seconds and then immersed in solder bath Of 270±5°C for 3±0.5 seconds. 裸线部分浸入松香溶液 5 秒后, 再浸入 270±5°C 熔融焊锡槽 3±0.5 秒,	90% min. stripped wires shall Be wet with solder.(Except the edge of terminal). 浸入裸线部分附着焊锡 90% 以上。(末端断面不算)
4	Lead Wire Pull Strength 线材拉力	The pull force shall be applied to double lead wire: Horizontal: 3. 0N(0. 306KG) for 30 seconds; Vertical: 2. 0N(0. 204KG) for 30 seconds. 双线材水平方向施以 3. 0N(0. 306KG) 的力量; 垂直方向施以 2. 0N(0. 204KG) 的力量, 各 30 秒	No damage and cutting off 线材不松动, 不脱落

SPECIFICATION FOR APPROVAL

承认书

PAGE NO.
页码

7/8

PART . NO.
产品型号

SQY40LA004009T-R-02

H、RELIABILITY TEST 信赖性试验

NO	Item	Test conditions	Evaluation standard
1	Load test 连续负荷	3W white noise is applied for 24 hours,at room temp. 在室温下,输入功率 3W,白杂音连续操作 24 小时	Being placed for 1 hours at +25 °C ,speaker shall be measured,No obstacle to be harmful to normal operation;damages,cracks,rusts,etc.should not be audible at 3.46v sine wave between Fo~20kHz.Fo should meet intial one.S.P.L.deviation of unit should be within ±3dB 经测试后,静置于+25°C环境中 1 小时后,测试无任何障碍妨碍正常操作,且在输入 3.46V 正弦波从 Fo 到 20kHz 之间无异常音, Fo 与原规格值相同,输出音压变化量在 ±3dB

I、ENVIRONMENTAL TEST 环境试验

No.	Item	Test conditions
1	High temp. test 高温测试	After being placed in a chamber at +55°C for 48 hours. 置于+55°C环境中 48 小时
2	Low temp. test 低温测试	After being placed in a chamber at - 20°C for 48hours. 置于-20°C环境中 48 小时
3	Humidity test 相对湿度测试	After being placed in a chamber at +40°C and 90±5% relative humidity for 48 hours.置于+40°C,相对湿度 90±5%环境中 48 小时
4	Temp. cycle test 温度循环测试	Low temperature -20 °C ±2°C (2 hour) / high temperature +55±2°C (2 hour) : 1 cycle , total 10 cycles. Being placed for 6 hours at +25°C,receiver shall be measured. No obstacle to be harmful to normal operation ;damages, cracks, rusts and distortions, should not be audible at 3.46Vsine wave between Fo~20kHz. S.P.L. deviation of unit should be within ±3dB. 低温 (-20±2°C) 2 小时/高温 (55±2°C) 2 小时, 1 次循环, 10 个周期; 经测试后,静置于+25°C环境中 6 小时后,测试后无任何障碍妨碍正常操作,在输入 3.46V 正弦波从 Fo 到 20kHz 之间无异常音,Fo 与原规格值相同,输出音压变化量在+3dB 内。

SPECIFICATION FOR APPROVAL

承认书

PAGE NO.

页码

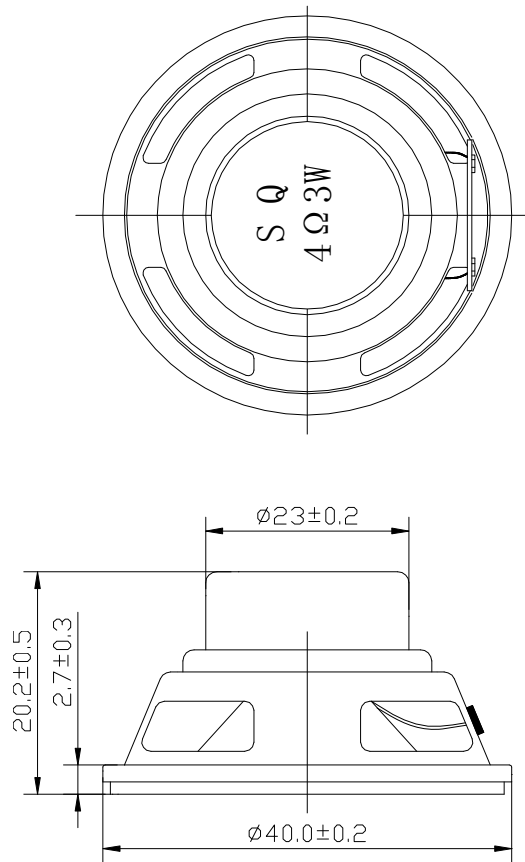
8/8

PART . NO.

产品型号

SQY40LA004009T-R-02

J、APPEARANCE DRAWING 外观尺寸图



Unit: mm