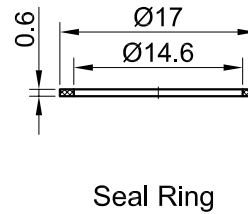
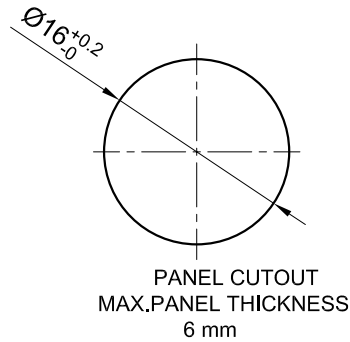
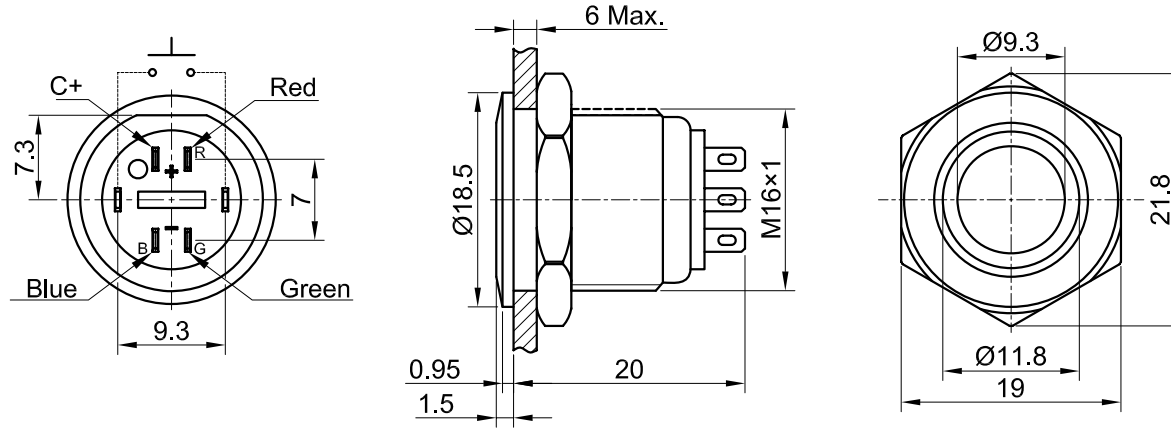


REV. 更改	DESCRIPTION 说明	ENG. 修改人	APPROVE 审核
------------	-------------------	-------------	---------------



**SPECIFICATIONS:**

- 1.Rating: 2A 36VDC.
- 3.Electrical Life: ≥200,000cycles.
- 4.Contact Resistance: ≤50mΩ.
- 5.Insulation Resistance: ≥1,000MΩ.
- 6.Dielectric Strength: 2,000V RMS 50Hz.
- 7.Operating Temperature: -25℃ ~ +55℃.
- 8.Operating Force: About 4N.
- 9.Torque: 0.6Nm max.applied to nut.
- 10.Contact Configuration: 1NO.
11. Operation Type: Momentary.
- 12.IP Class: IP67.
- 13.LED color:Red,Green,Blue.
- 14.LED voltage:12V.

**MATERIALS:**

- 1.Contact: Silver alloy.
- 2.Button: Stainless Steel.
- 3.Body: Stainless Steel.
- 4.Base: PBT.

Part Number: PM161F-10E / RGB / 12V / S / IP67

USED 用途		APPD 审核 CH 2016/05/19	
FINISH 处理		CHKD 校对 CKL 2016/05/19	
DIMENSIONS 0.00 TO 30.00mm 30.01 TO 80.00mm 80.01 TO 150.00mm 150.01 ↑	TOLERANCE ±0.20mm ±0.25mm ±0.30mm ±0.40mm	SCALE 比例 1.5 / 1	UNIT 单位 mm
TITLE 名称 Anti-vandal ring illuminated push button		DR. 制图 HMJ 2016/05/19	 SIZE 图纸 A4
MATERIAL		DWG NO. 图号 PM161F-10E / J / RGB / 12V / S / IP67	
FILE NAME 档案名称 PM161F-10EJRGB12VS IP67.DWG		SHEET 张 1 / 1	REV. 更改 1