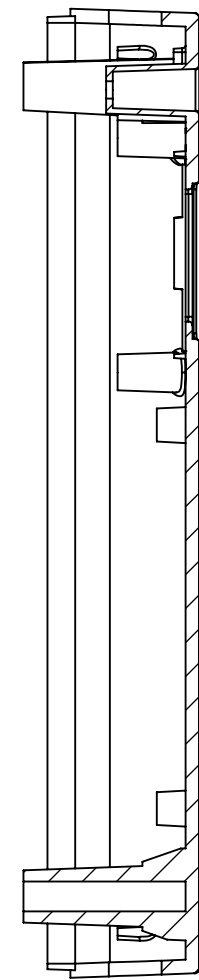
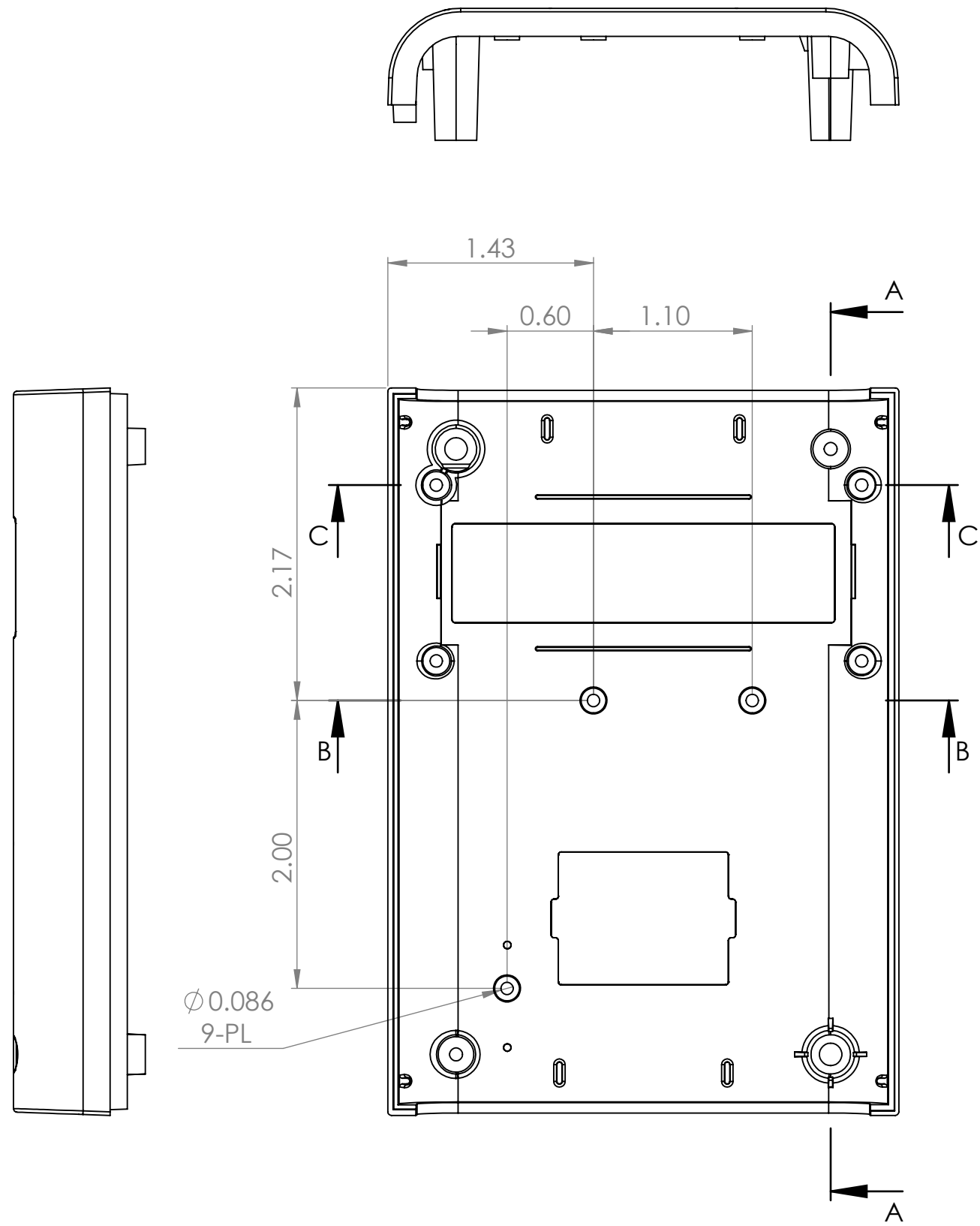
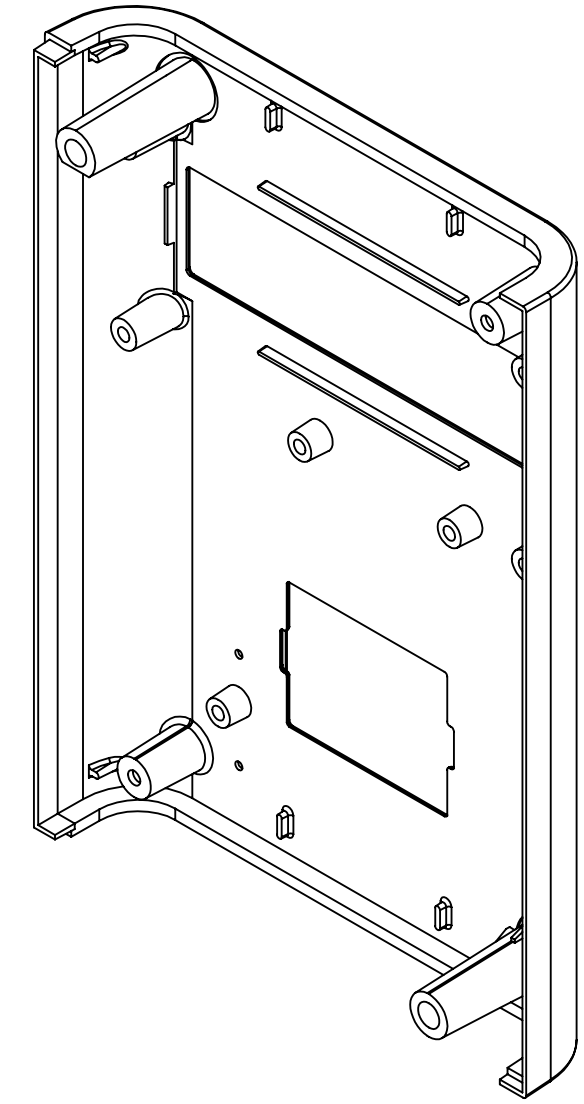


4

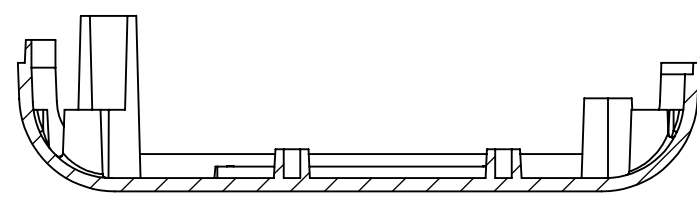
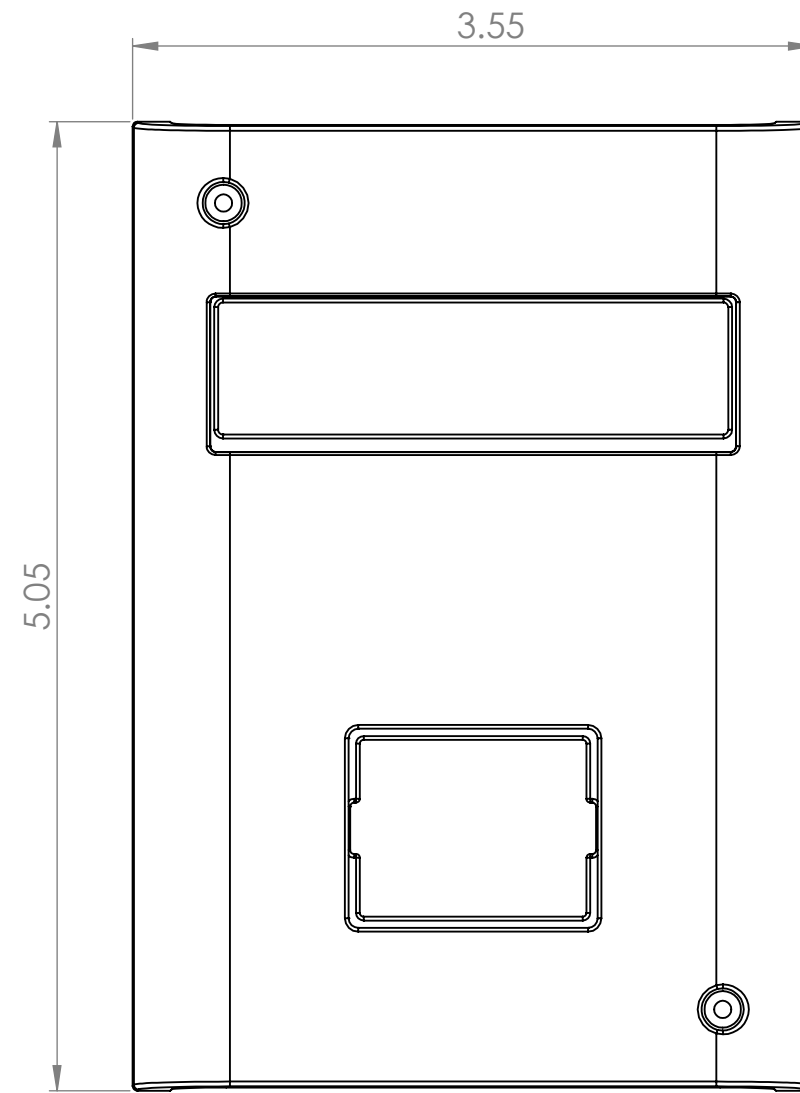
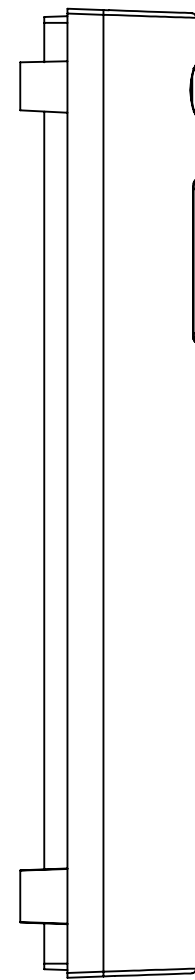
3

2

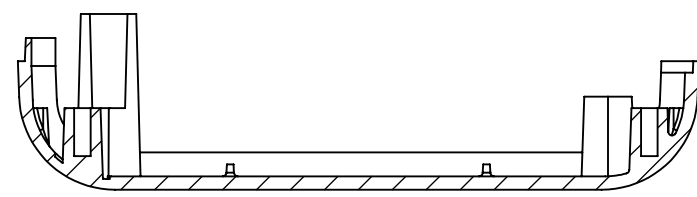
1



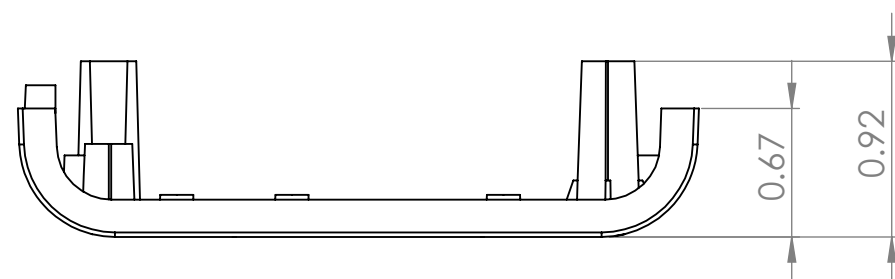
SECTION A-A



SECTION B-B



SECTION C-C



PROPRIETARY AND CONFIDENTIAL
 THE INFORMATION CONTAINED IN THIS DRAWING IS THE SOLE PROPERTY OF <INSERT COMPANY NAME HERE>. ANY REPRODUCTION IN PART OR AS A WHOLE WITHOUT THE WRITTEN PERMISSION OF <INSERT COMPANY NAME HERE> IS PROHIBITED.

		UNLESS OTHERWISE SPECIFIED:		NAME	DATE	TITLE:	
		DIMENSIONS ARE IN INCHES		DRAWN	MD		160717
		TOLERANCES:		CHECKED			
		FRACTIONAL ±		ENG APPR.			
		ANGULAR: MACH ± BEND ±		MFG APPR.			
		TWO PLACE DECIMAL ±		Q.A.			
		THREE PLACE DECIMAL ±		COMMENTS:			
		INTERPRET GEOMETRIC TOLERANCING PER:				SIZE DWG. NO.	
		MATERIAL				REV	
		FINISH				arduino_housing_01	
NEXT ASSY	USED ON	APPLICATION				SCALE: 1:1 WEIGHT:	
		DO NOT SCALE DRAWING				SHEET 1 OF 1	

4

3

2

1

D

D

C

C

B

B

A

A