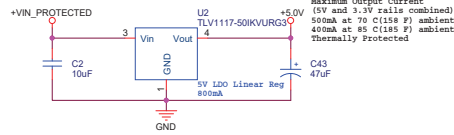


**Power Connector**  
+7V to +12V DC Input

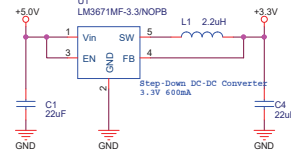
If +VIN exists, all rails driven by +VIN  
If +VIN not present, all rails driven by USB Power



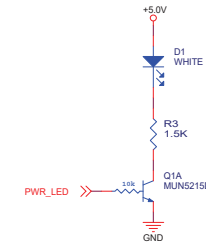
**5V LDO Converter**



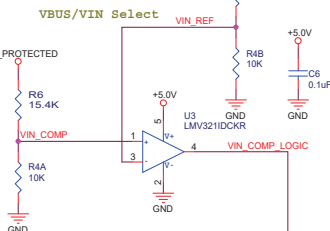
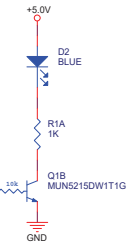
**5V to 3.3V DC/DC Buck Regulator**



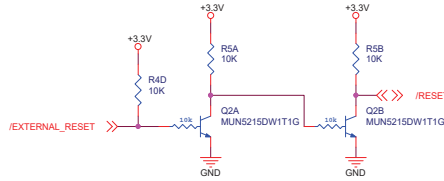
**PWR LED**



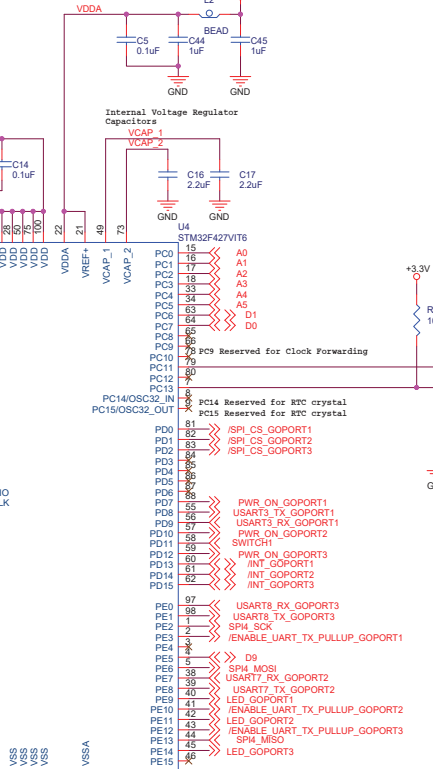
**LED**



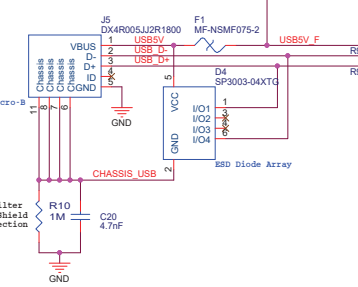
**Reset Circuit**



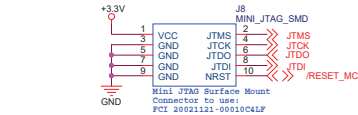
**Microcontroller**



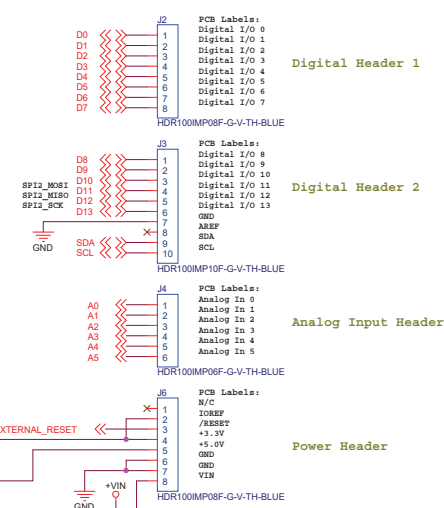
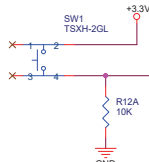
**USB Micro-B Connector**



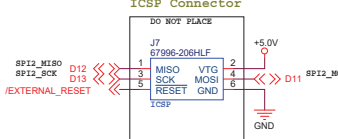
**Mini JTAG Connector**



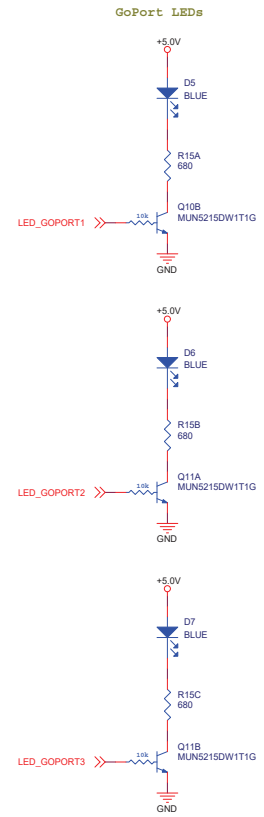
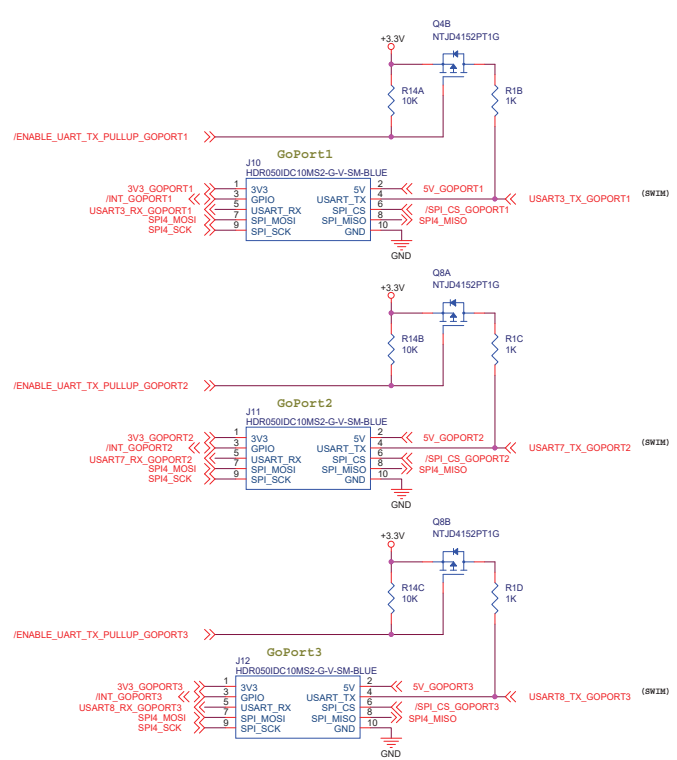
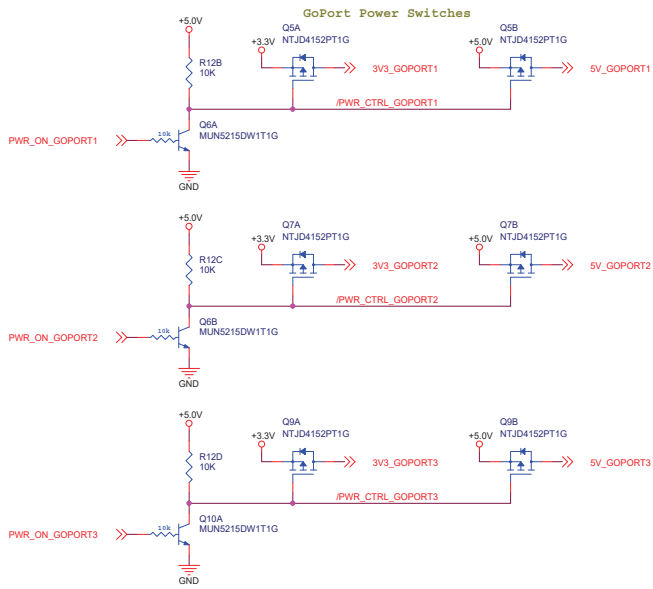
**Push Button**



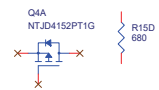
**ICSP Connector**



Title			Nedduino 3		
Size	Document Number			Rev	A
C	CW0057				
Date:	Wednesday, June 03, 2015	Sheet	1	of	2



Unused



Title		Nedduino 3	
Size	Document Number	Rev	
C	CW0057	A	
Date:	Wednesday, June 03, 2015	Sheet	2 of 2