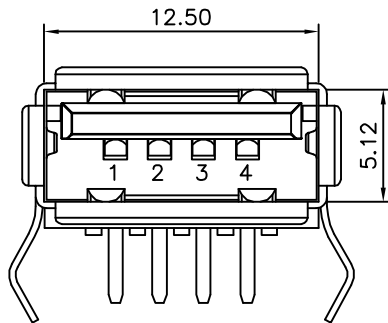
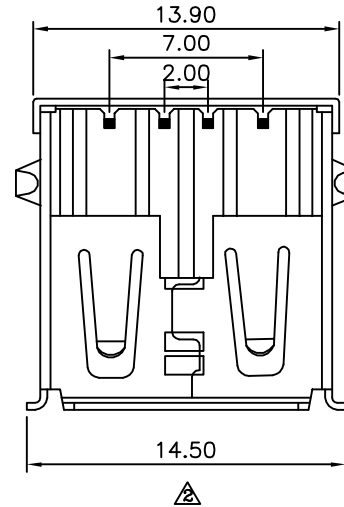
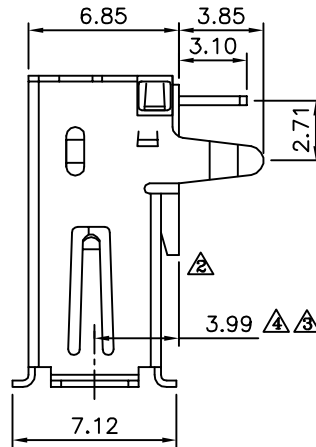
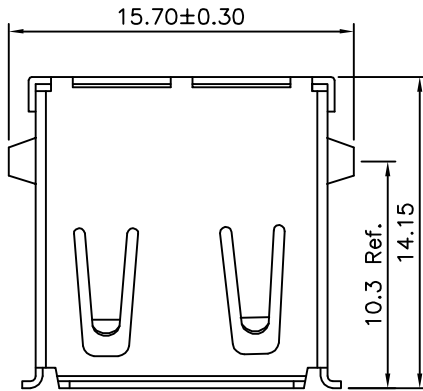


Recommended P.C.B. Layout

**SPECIFICATION**

Current:1.5A Max.  
 Voltage:30V Max.  
 Withstanding Voltage:500V AC  
 Contact Resistance:30 Milliohms Max.  
 Insulation Resistance:1000 Megaohms Min.  
 Temperature Range:-55°C~+85°C  
 Mating Force:35N Max.  
 Withdrawal Force:10N Min.  
 Durability:1500 Cycles Min.  
 Insulator:PBT+30%G.F.(UL94V-0),White  
 Contact:Brass  
 Gold Flash On Contact Area  
 Tin Plated On Solder Tail,Under Nickel  
 Shell:Brass,Nickel Plated  
 RoHS Compliant



**4UCON** 元化興業股份有限公司  
 4UCON TECHNOLOGY INC.

DRAWING No.

05241

APPROVED BY  
 EMILY

CHECKED BY  
 HZF

DRAWING BY  
 WZL

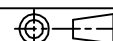
SCALE NONE

REV. A4

UNLESS OTHERWISE SPECIFIED TOLERANCES ARE

.X ±0.38 .X° ±2°  
 .XX ±0.25 .XX° ±1°  
 .XXX ±0.13 .XXX° ±0.5°

UNIT mm



△ A4	Modify Dim. 4.10-->3.99	HZF	04/27/2011
△ A3	Add Dim. 4.10	HZF	02/15/2011
△ A2	Modify Data	HZF	12/24/2010
△ A1	Modify Data	HZF	09/21/2010
△ A0	NEW RELEASE	HZF	06/04/2009
NO. REV.	REVISIONS	CHK	DATE