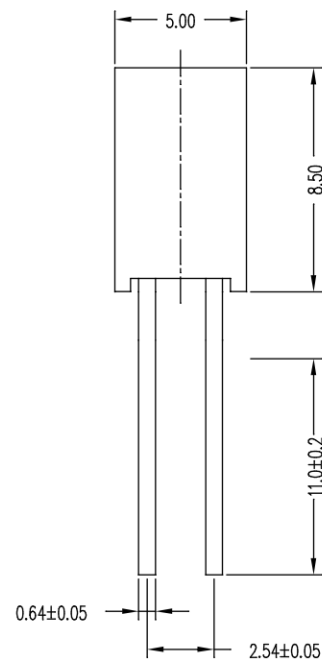
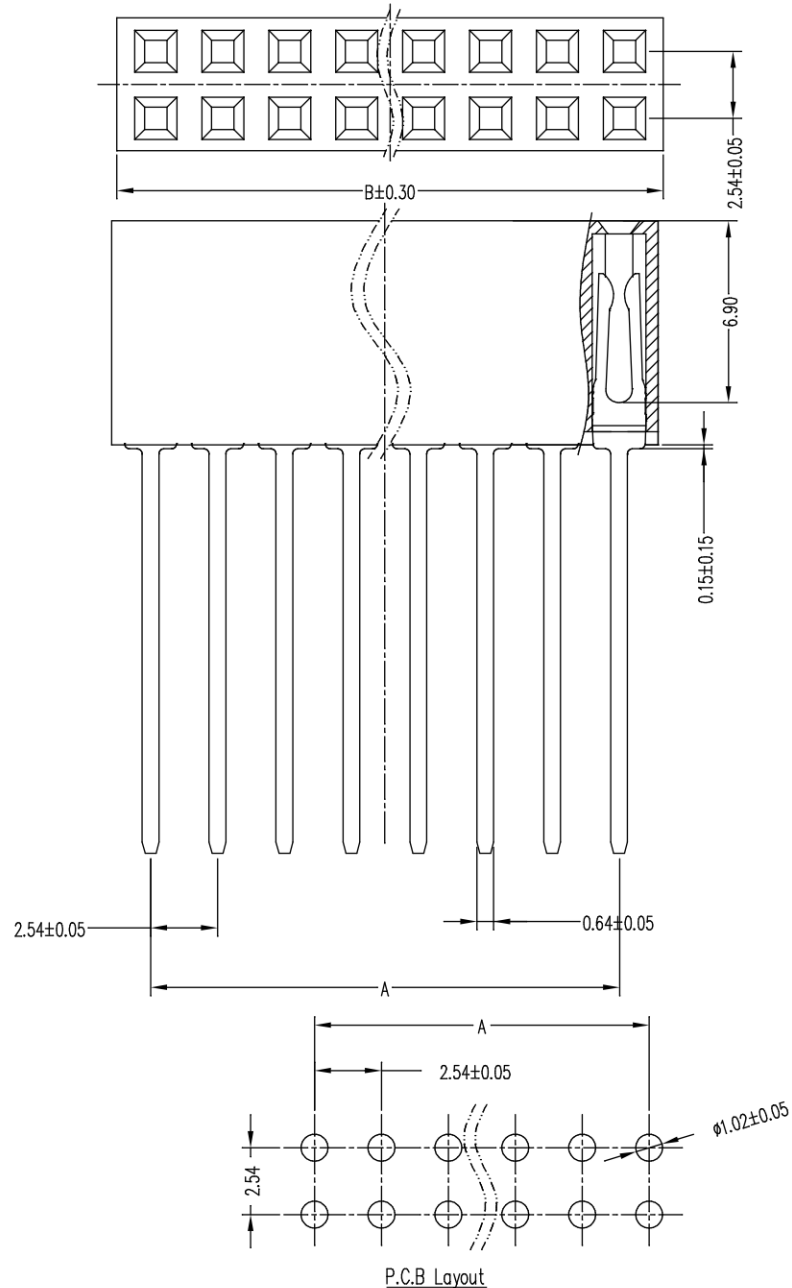


客户确认  
签章处



SPECIFICATIONS

Current Rating: 3 Amp  
 Insulator Resistance: 1000 MΩ MIN  
 Dielectric Withstanding: AC 500V  
 Contact resistance: 20mΩ MAX.  
 Operating Temp.:  $-40^{\circ}\text{C} \sim +105^{\circ}\text{C}$   
 Max Processing Temp.:  $230^{\circ}\text{C}$  for 30~60 seconds  
 ( $260^{\circ}\text{C}$  for 10 seconds)  
 Insulator Material: PA6T+30% UL94V-0 ROHS  
 Contact Material: Copper alloy  
 Plated(\*Standard): Gold 3U"

| PIN Number | Dimension(mm) |       | PIN Number | Dimension(mm) |        |
|------------|---------------|-------|------------|---------------|--------|
|            | A             | B     |            | A             | B      |
| 2*2P       | 2.54          | 5.48  | 2*22P      | 53.34         | 56.28  |
| 2*3P       | 5.08          | 8.02  | 2*23P      | 55.88         | 58.82  |
| 2*4P       | 7.62          | 10.56 | 2*24P      | 58.42         | 61.36  |
| 2*5P       | 10.16         | 13.10 | 2*25P      | 60.96         | 63.90  |
| 2*6P       | 12.70         | 15.64 | 2*26P      | 63.50         | 66.44  |
| 2*7P       | 15.24         | 18.18 | 2*27P      | 66.04         | 68.98  |
| 2*8P       | 17.78         | 20.72 | 2*28P      | 68.58         | 71.52  |
| 2*9P       | 20.32         | 23.26 | 2*29P      | 71.12         | 74.06  |
| 2*10P      | 22.86         | 25.80 | 2*30P      | 73.66         | 76.60  |
| 2*11P      | 25.40         | 28.34 | 2*31P      | 76.20         | 79.14  |
| 2*12P      | 27.94         | 30.88 | 2*32P      | 78.74         | 81.68  |
| 2*13P      | 30.48         | 33.42 | 2*33P      | 81.28         | 84.22  |
| 2*14P      | 33.02         | 35.96 | 2*34P      | 83.82         | 86.76  |
| 2*15P      | 35.56         | 38.50 | 2*35P      | 86.36         | 89.30  |
| 2*16P      | 38.10         | 41.04 | 2*36P      | 88.90         | 91.84  |
| 2*17P      | 40.64         | 43.58 | 2*37P      | 91.44         | 94.38  |
| 2*18P      | 43.18         | 46.12 | 2*38P      | 93.98         | 96.92  |
| 2*19P      | 45.72         | 48.66 | 2*39P      | 96.52         | 99.46  |
| 2*20P      | 48.26         | 51.20 | 2*40P      | 99.06         | 102.00 |
| 2*21P      | 50.80         | 53.74 |            |               |        |

| DENKE ELECTRONIC                             |                      |           |    | REV:    | A1       | GENERAL TOLERANCE<br>UNLESS OTHERWISE NOTED |             |
|--|----------------------|-----------|----|---------|----------|---|-------------|
| TITLE: PITCH2.54mm FEMALE HEADER<br>180° 环保料 |                      |           |    | UNIT:mm |          | x.±0.50                                     | x.°±5.00°   |
| PART No:                                     | DWG NO.<br>241122-05 | DRAW      | WZ | Date:   | 24/11/22 | .x±0.38                                     | .x°±2.00°   |
| SCALE 1:1                                    | PROL                 | CHECK     |    | Date:   |          | .xxx±0.25                                   | .xx°±1.00°  |
|  |                      | APPRO.    |    | Date:   |          | .xxxx±0.15                                  | .xxx°±0.50° |
|  |                      | PAGE: 1/1 |    |         |          | Length                                      | Angle       |