

Neodymium magnetic resonance speaker, diameter 26 mm, height 12.5 mm

Impedance: 8 ohms/4 ohms.

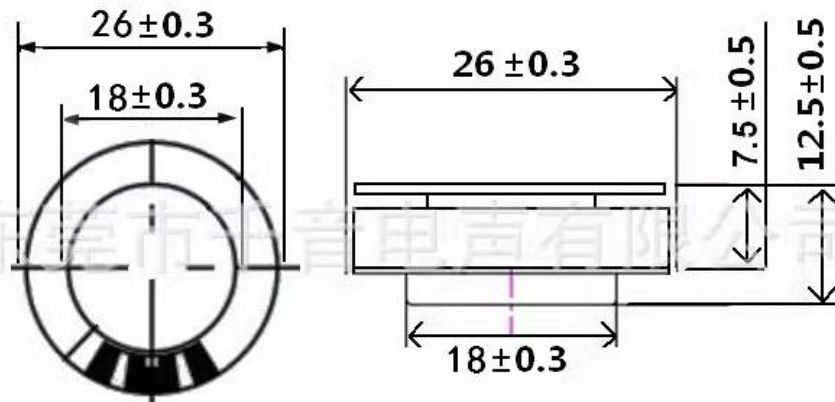
Power: 3 watts



★详细参数

- ★尺寸(size): 26MM
- ★音圈阻抗 (voice coil impedance) : 8Ω
- ★额定功率 (rated power input) : 8Ω3W
- ★最大功率 (max power input) : 5W
- ★最低共振 (Resonant Freq (FO): 140Hz
- ★音域 (specialty) :全频音域
- ★频率范围 (freq response) : 140Hz~20kHz
- ★灵敏度 (SPL) : 84DB (1M/1W)
- ★音圈尺寸 (voice coil size) : 13芯
- ★磁铁 (magnet) : 钕铁硼
- ★净重 (Net Weight) : G

单位：毫米 (mm)



The speaker is equipped with 3M adhesive neodymium magnetic horn and stainless steel shrapnel. The speaker needs an amplifier to drive it. You can use double-sided tape to test it tightly. For long-term use, it is recommended to use all-purpose glue to fix it! The speaker resonates with the flat object and produces sound. Different resonant media have different effects.