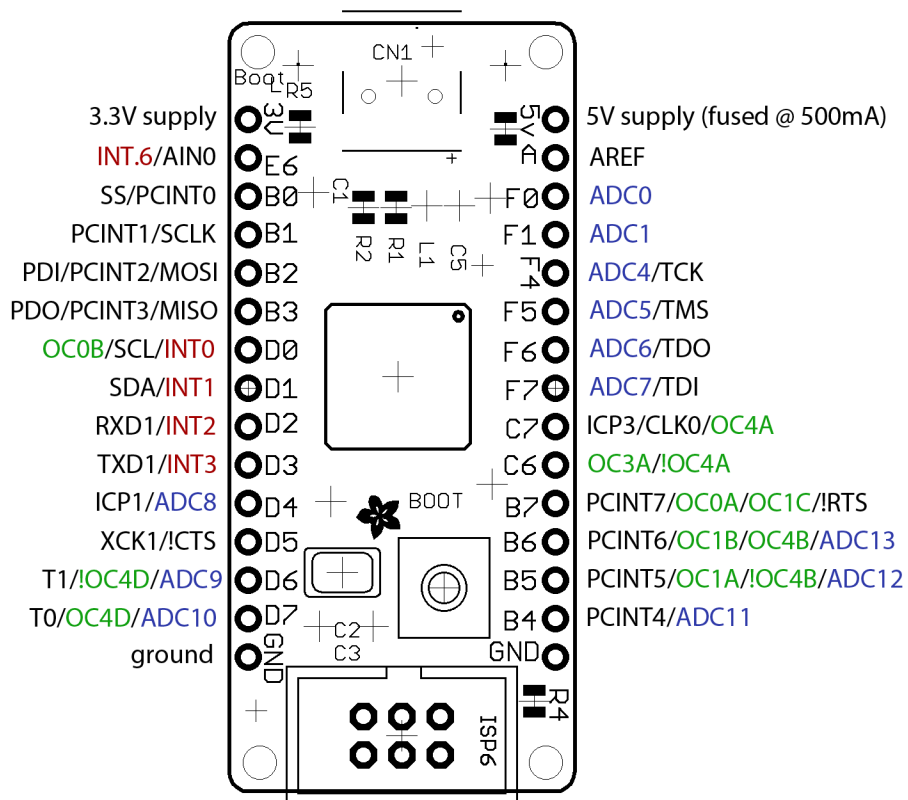


Adafruit ATmega32u4 Breakout

Pinout Reference



BLUE = ADCs

RED = low-level interrupts

GREEN = PWM outputs