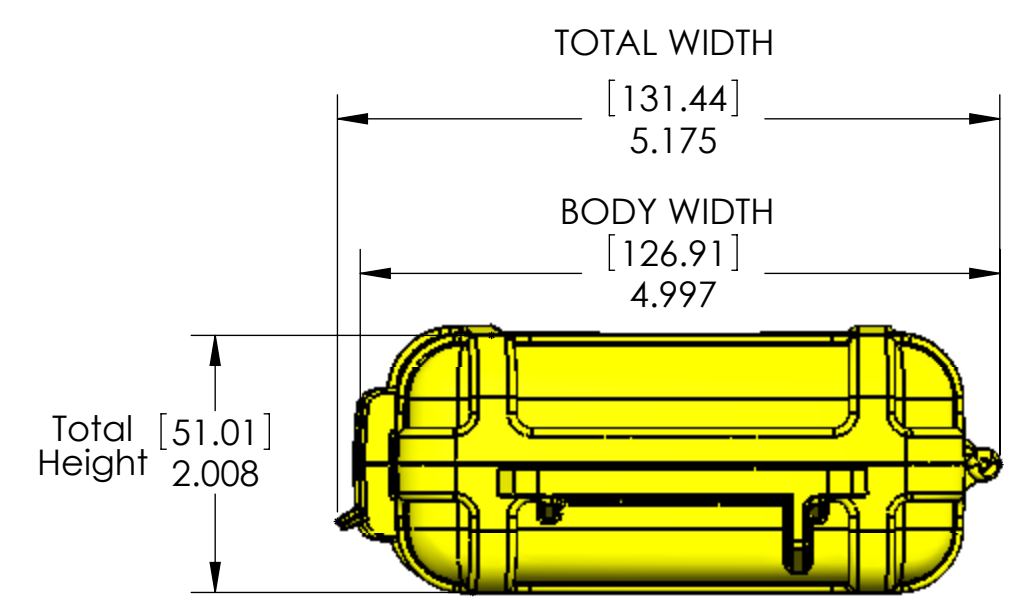
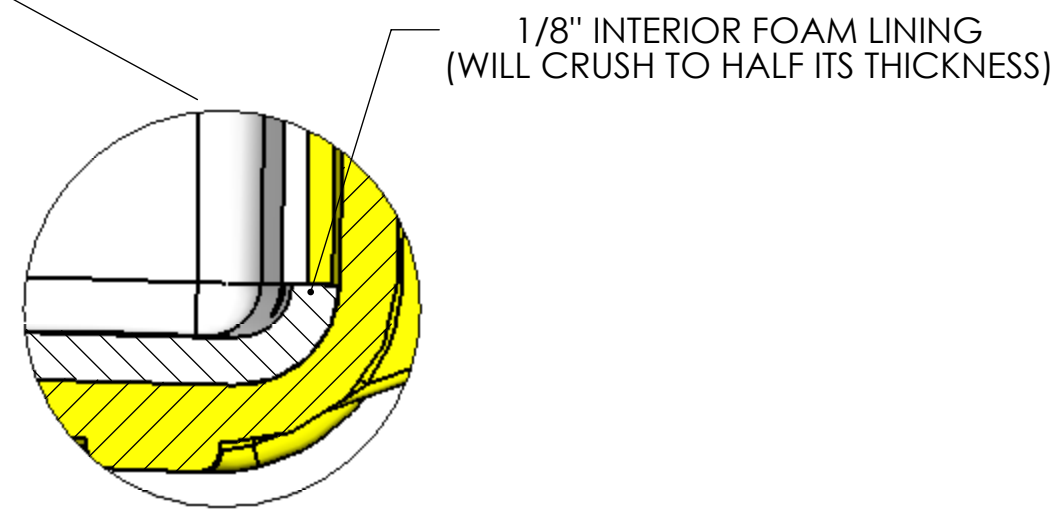
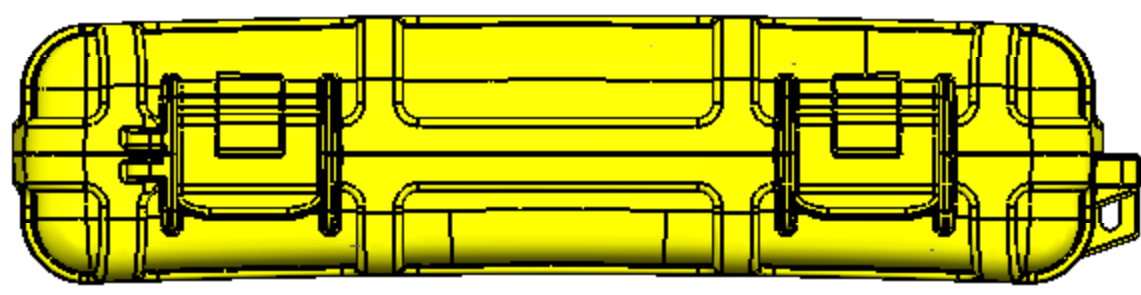
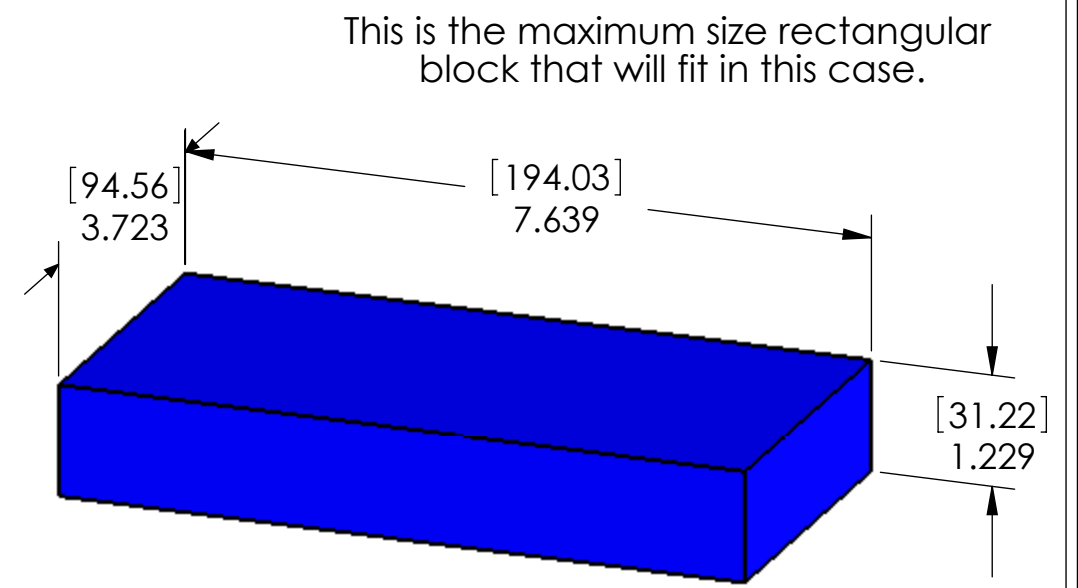
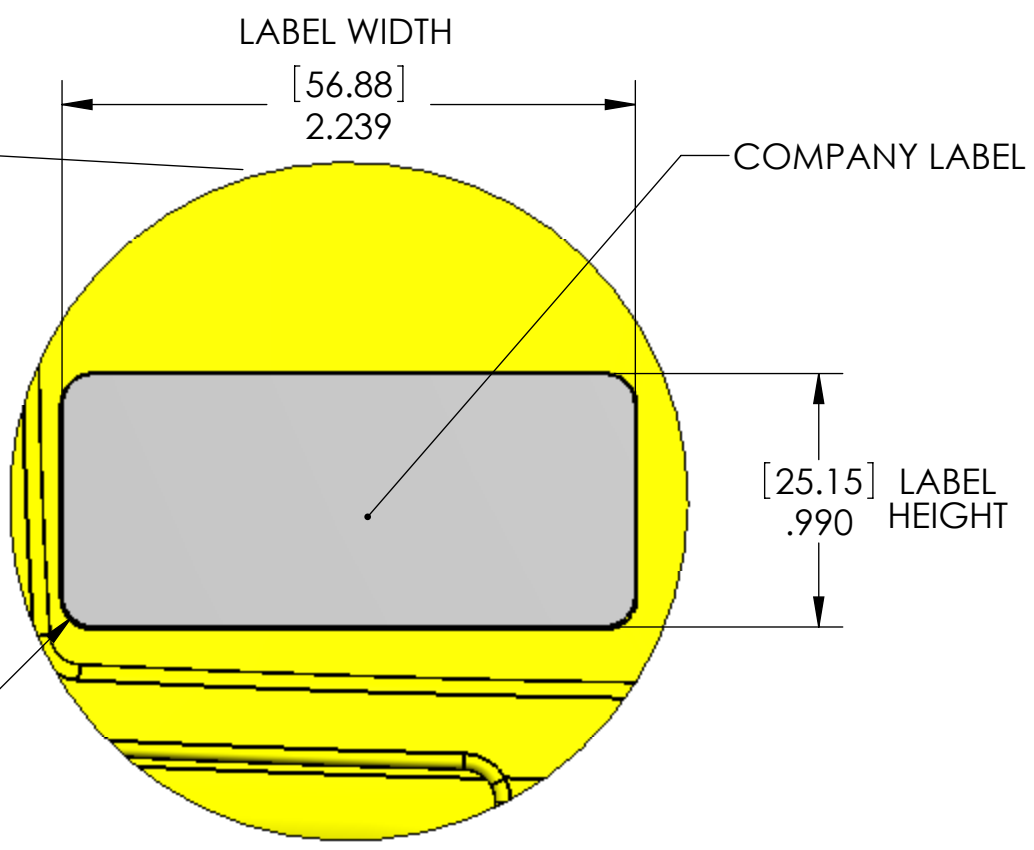
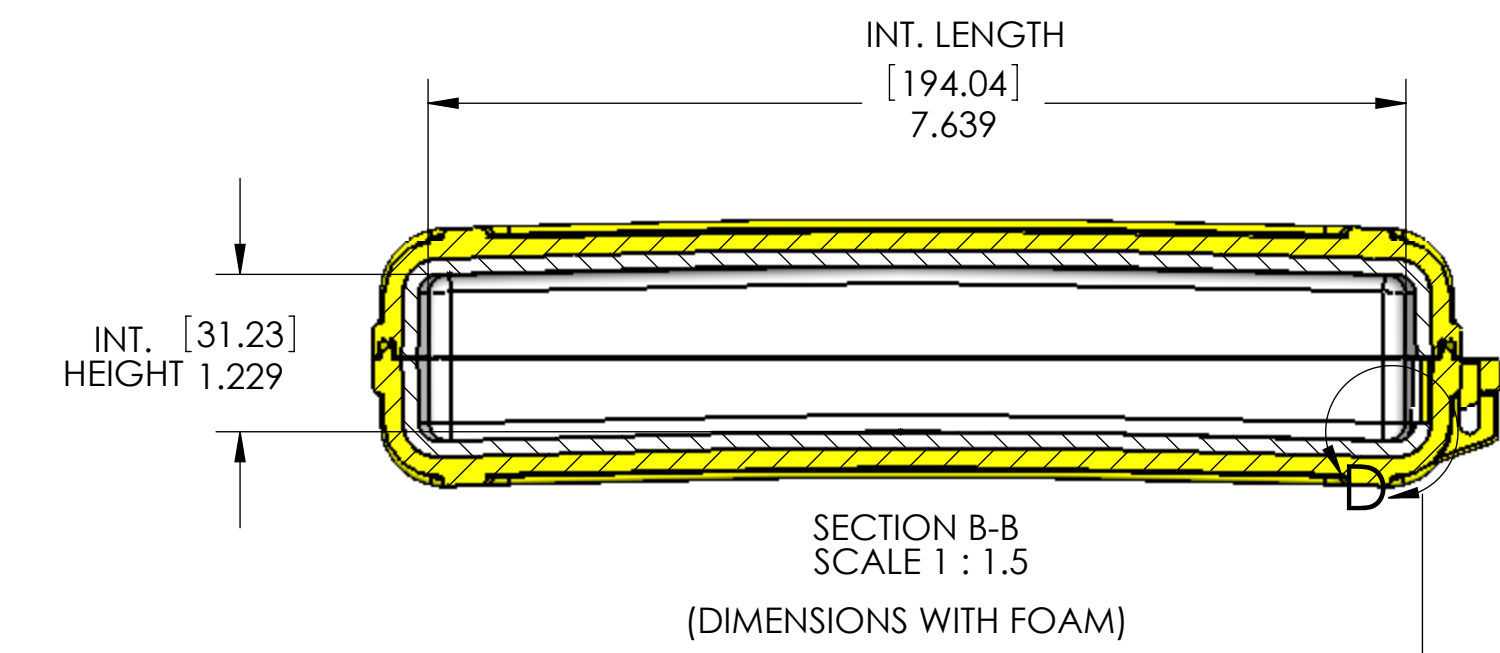
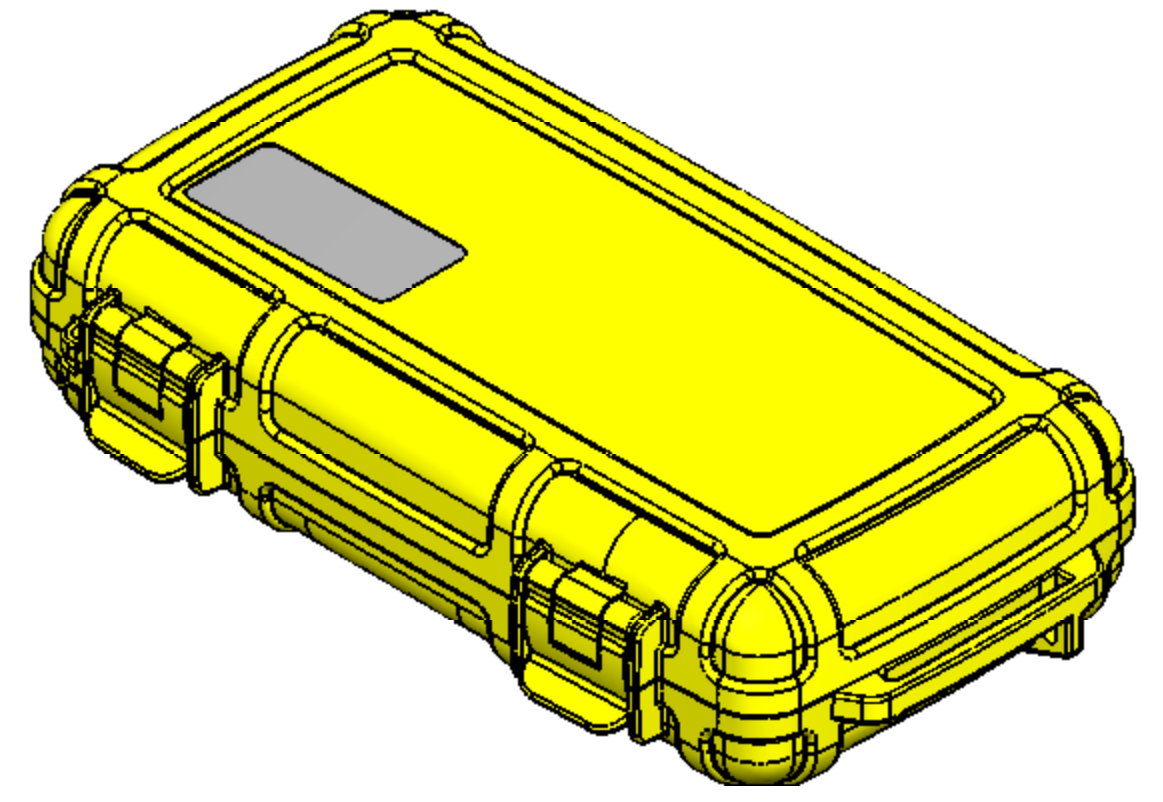
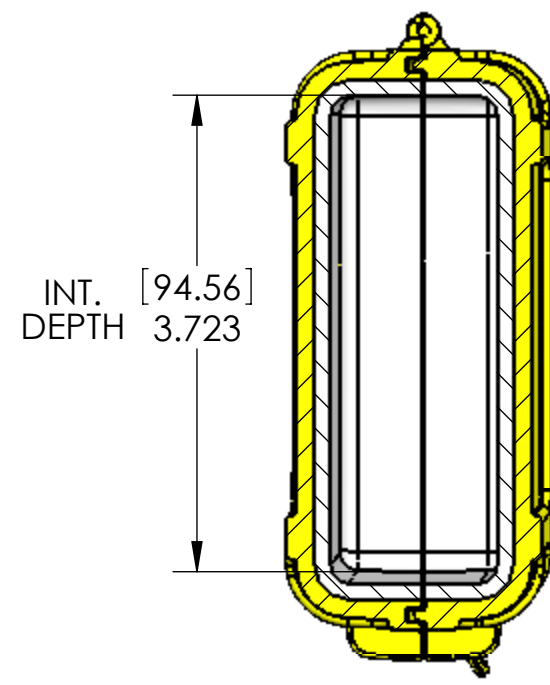
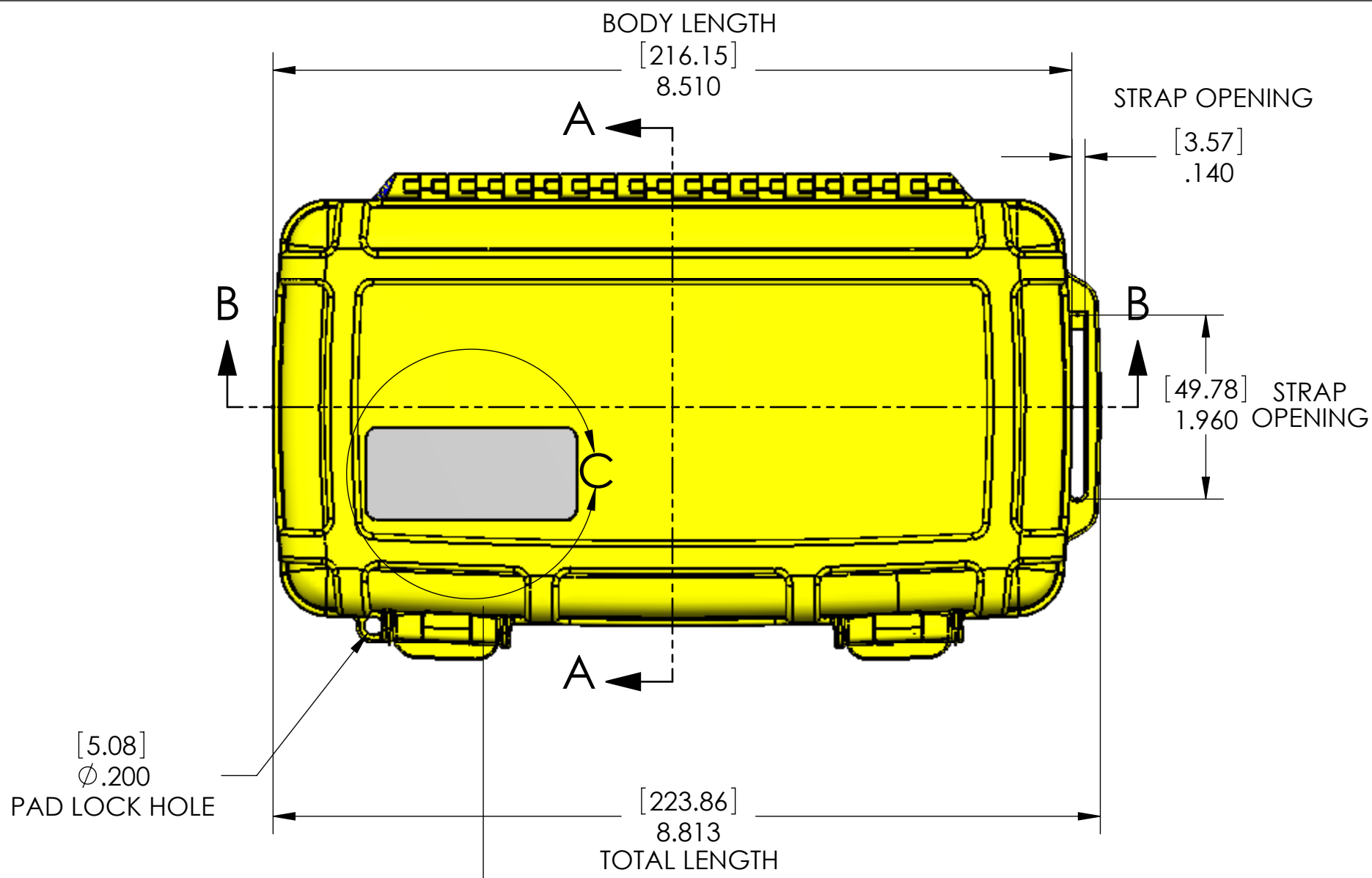


REV	CO#	DESCRIPTION	DRAWN BY	DATE	CHK'D BY	DATE
A	000	INITIAL RELEASE	TDB	5.31.07	JLJ	5.31.07



DIMENSIONS:
[MILLIMETERS]
INCHES

PRODUCT CODE	COLOR
3000-01	CLEAR
3000-05	YELLOW
3000-14	BLUE
3000-20	BLACK



PROPERTY OF OTTER PRODUCTS LLC.
NO REPRODUCTION WITHOUT WRITTEN PERMISSION
1 OLD TOWN SQ. STE # 303, FORT COLLINS, CO, 80524
PH 970-490-2777 FAX: 970-490-2888 E-MAIL info@otterbox.com

TITLE: 3000 SERIES		DRAWN BY/DATE TDB/5-31-07	
MAT'L: ABS	SHT # 1 OF 1	APPROVED BY/DATE JLJ/5-31-07	
FINISH: -	SCALE 1:2	TOLERANCES XX ± 1° .X ± .05	IN [mm] .XX ± .01 .XXX ± .005
		ITEM NUMBER 3000	