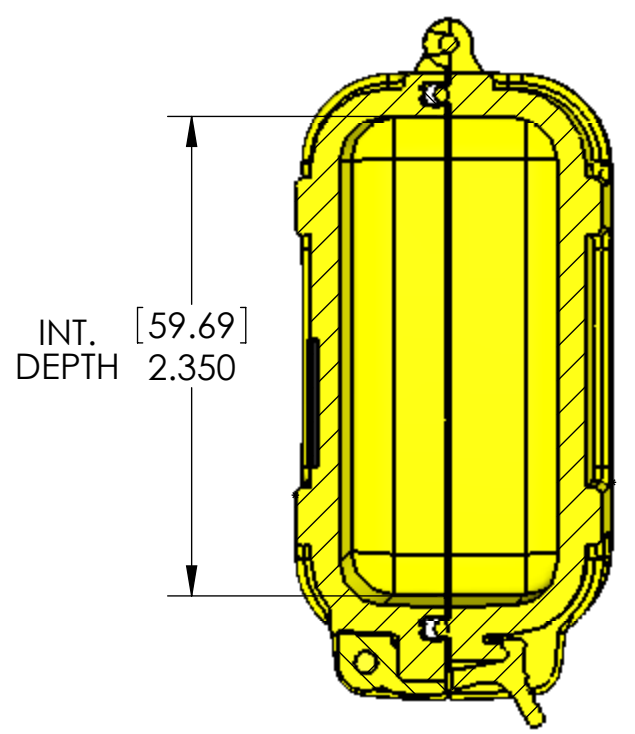
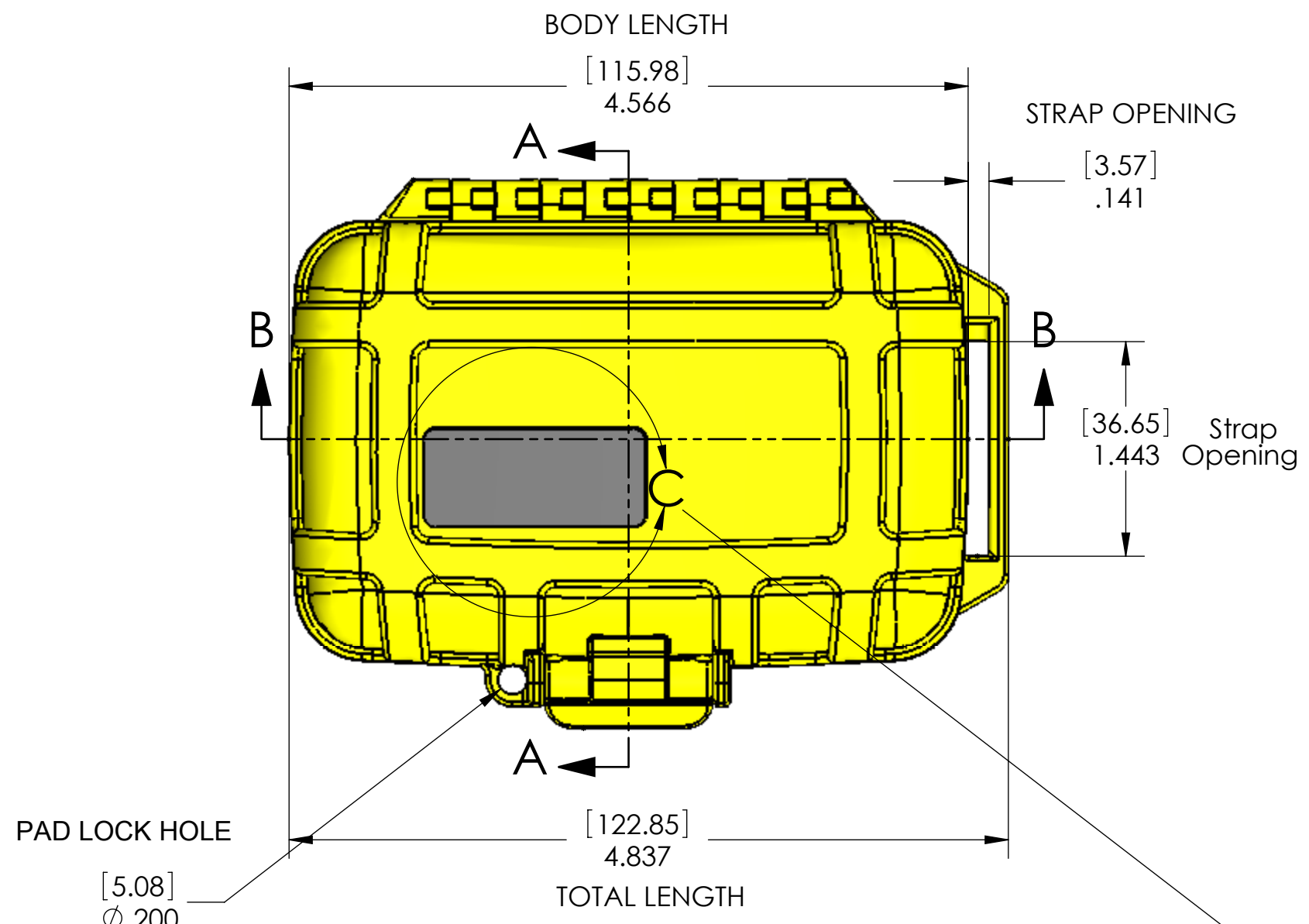
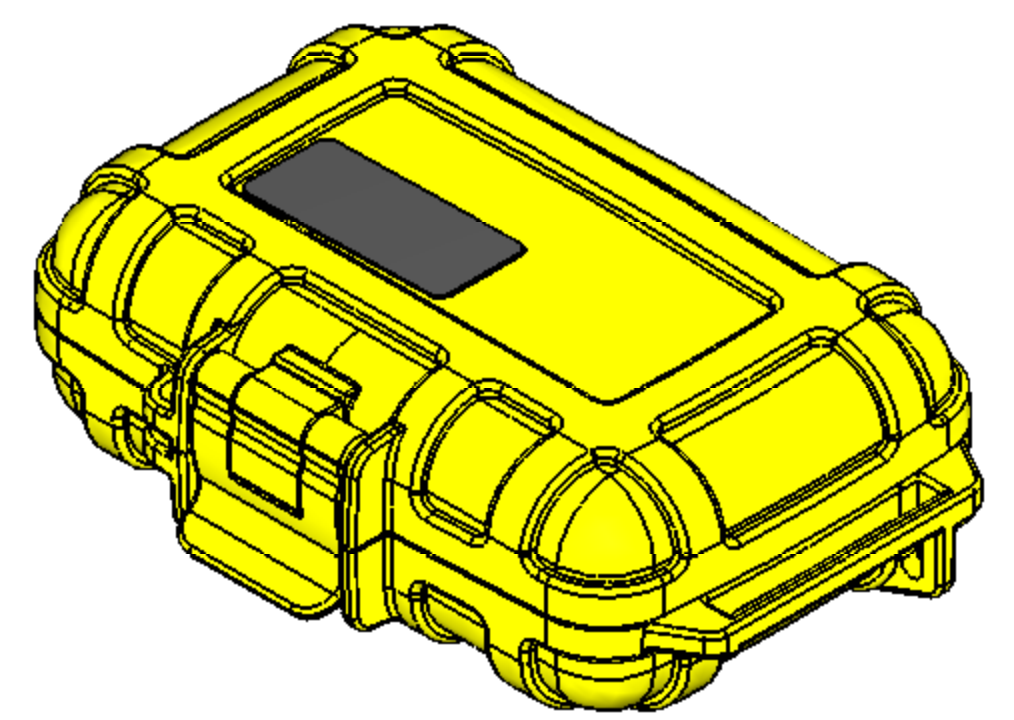


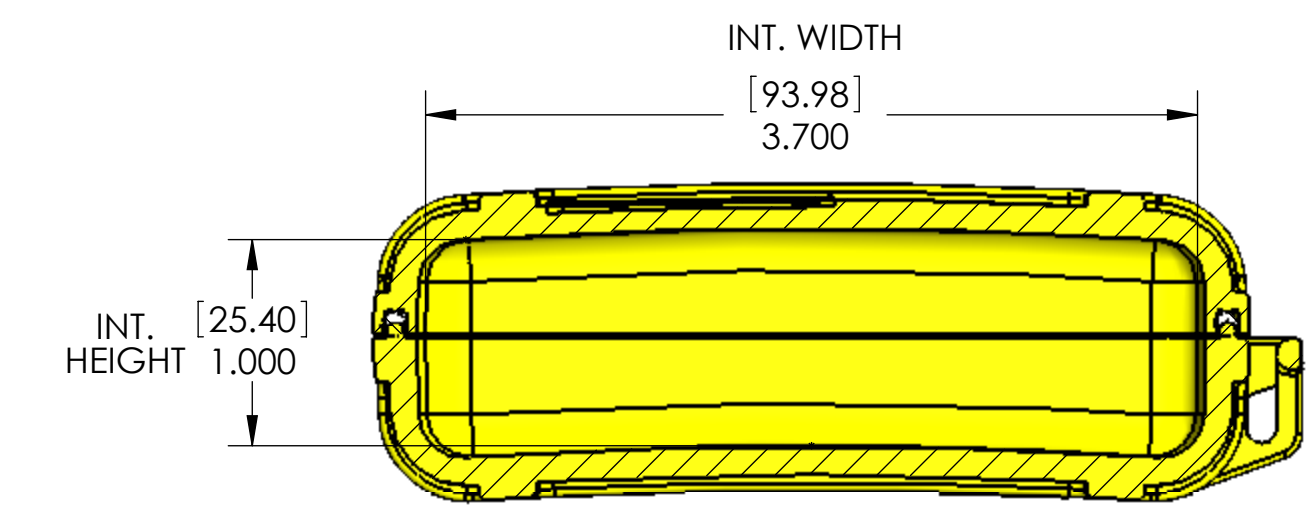
REV/CO#	DESCRIPTION	DRAWN BY	DATE	CHK'D BY	DATE
A -	INITIAL RELEASE	TDB	5.24.07	JLJ	5.24.07



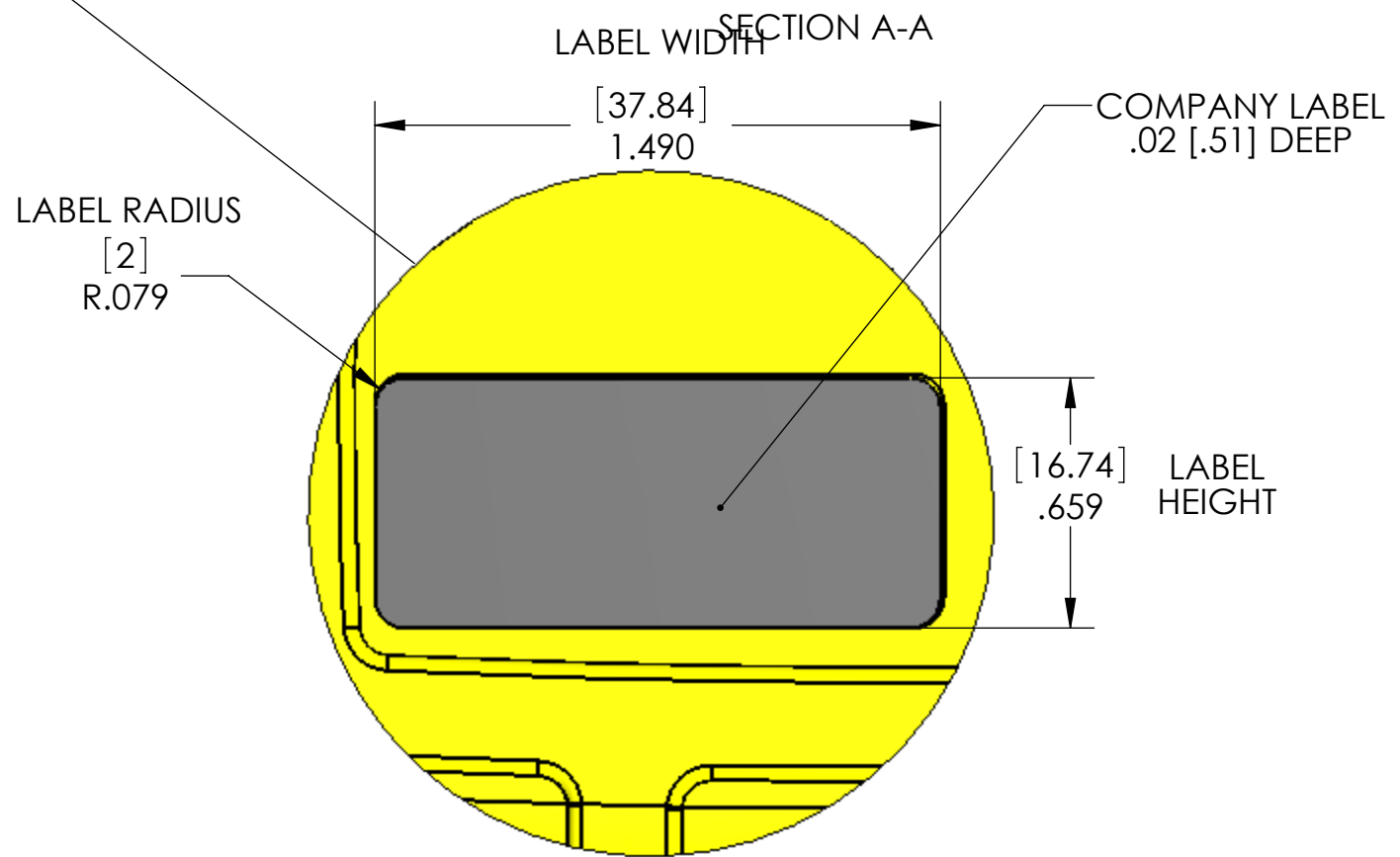
Dimensions:
[millimeters]
inches



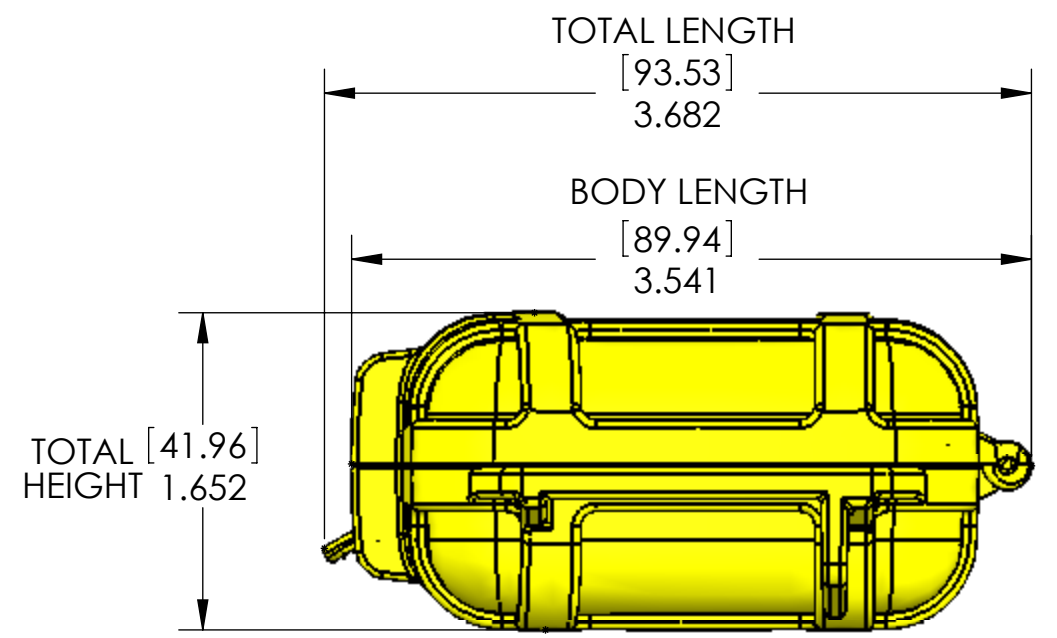
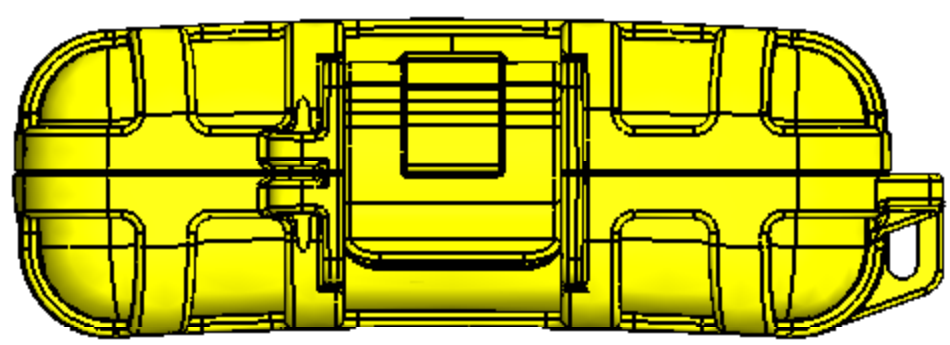
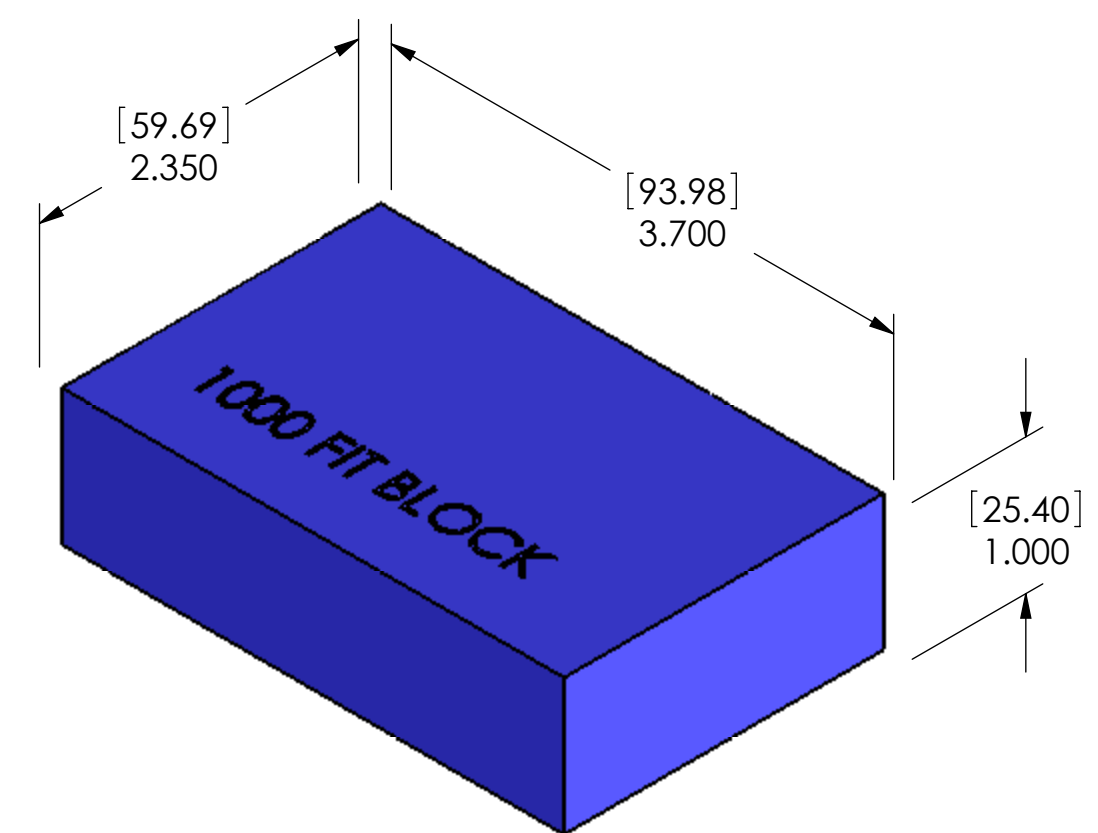
This is the maximum size rectangular block that will fit in this case.



SECTION B-B



DETAIL C
SCALE 2 : 1



PROPERTY OF OTTER PRODUCTS LLC.
NO REPRODUCTION WITHOUT WRITTEN PERMISSION
1 OLD TOWN SQ. STE # 303, FORT COLLINS, CO, 80524
PH 970-490-2777 FAX: 970-490-2888 E-MAIL info@otterbox.com

PRODUCT CODE	COLOR
1000-05	YELLOW
1000-14	BLUE
1000-20	BLACK
1000-01	ALL CLEAR

TITLE: 1000 SERIES		SHT # 1 OF 1		TOLERANCES IN [mm]		DRAWN BY/DATE TDB/5-24-07	
MAT'L: ABS		SCALE: 1:1		XX ± 1° .XX ± .01		APPROVED BY/DATE JLJ/5-24-07	
FINISH: -		SIZE: C		.X ± .05 .XXX ± .005		ITEM NUMBER 1000	