

APPLICATION NOTE

VACUUM FLUORESCENT DISPLAY MODULE

GRAPHIC DISPLAY MODULE

GP9002A01A

GENERAL DESCRIPTION

FUTABA GP9002A01A is a graphic display module using a FUTABA 128×64 VFD.

Consisting of a VFD, display drivers and a control circuit, the module can be driven by connecting to the host system through a simple interface.

Important Safety Notice

Please read this note carefully before using the product.

Warning

- The module should be disconnected from the power supply before handling.
- The power supply should be switched off before connecting or disconnecting the power or interface cables.
- The module contains electronic components that generate high voltages (approx.64V) which may cause an electrical shock when touched.
- Do not touch the electronic components of the module with any metal objects.
- The VFD used on the module is made of glass and should be handled with care. When handling the VFD, it is recommended that cotton gloves be used.
- The module is equipped with a circuit protection fuse.
- Under no circumstances should the module be modified or repaired. Any unauthorized modifications or repairs will invalidate the product warranty.
- The module should be abolished as the factory waste.

CONTENTS

| | |
|-------------------|---|
| 1. FEATURES | 1 |
|-------------------|---|

| | |
|--|---|
| 2. GENERAL DESCRIPTION | |
| 2-1. DIMENSIONS, WEIGHT | 1 |
| 2-2. SPECIFICATIONS OF THE DISPLAY PANEL | 1 |
| 2-3. ENVIRONMENT CONDITIONS | 1 |
| 2-4. ABSOLUTE MAXIMUM RATINGS | 2 |
| 2-5. RECOMMENDED OPERATING CONDITIONS | 2 |
| 2-6. ELECTRICAL CHARACTERISTICS | 2 |

| | |
|--|------|
| 3. BASIC FUNCTION | |
| 3-1. FUNCTION TABLE | 3 |
| 3-2. FUNCTION OF SIGNAL LINES | 3 |
| 3-3. COMMAND TABLE | 4 |
| 3-4. RELATIONSHIP OF THE DISPLAY AREA TO ADDRESS AND DATA | 5 |
| 3-5. FUNCTION OF COMMANDS | 6~10 |

| | |
|------------------------------|----|
| 4. INTERFACE CONNECTION..... | 11 |
|------------------------------|----|

| | |
|--|-------|
| 5. TIMING CHART | |
| 5-1. THE PARALLEL INTERFACE..... | 12 |
| 5-2. SYNCHRONOUS SERIAL INTERFACE..... | 13~14 |
| 5-3. INT TIMING | 14 |

| | |
|--|----|
| 6. THE INITIALIZE AFTER POWER- ON..... | 14 |
|--|----|

| | |
|--------------------------------|----|
| FIGURE-4 OUTER DIMENSION | 15 |
|--------------------------------|----|

| | |
|--------------------------------------|----|
| FIGURE-5 CIRCUIT BLOCK DIAGRAM | 16 |
|--------------------------------------|----|

| | |
|---------------------------|----|
| FIGURE-6 FONT TABLE | 17 |
|---------------------------|----|

| | |
|-------------------|----|
| 7. WARRANTY | 18 |
|-------------------|----|

| | |
|--|----|
| 8. CAUTIONS FOR DETERMINING AND EXPORTING REGULATED GOODS OR SERVICES | 18 |
|--|----|

| | |
|---------------------------------|----|
| 9. CAUTIONS FOR OPERATION | 18 |
|---------------------------------|----|

1. FEATURES

- 1-1. High quality and long life can be achieved with FUTABA VFD.
- 1-2. It consists of a control ASIC and a power circuit.
- 1-3. Compact and light weight unit by using packed display drivers and one chip VFD controller.
- 1-4. The Interface can be selected from 8bit Parallel or synchronous serial.

2. GENERAL DESCRIPTION

2-1. DIMENSIONS, WEIGHT (Refer to FIGURE-4)

Table-1

| Item | Specification | Unit |
|------------------|--|------|
| Outer dimensions | (W) 103±1 (H) 53.5±1 (T) 22.2 MAX. | mm |
| Weight | Approx. 85 | g |

2-2. SPECIFICATIONS OF THE DISPLAY PANEL

Table-2

| Item | Specification | Unit |
|--------------------------|----------------------------|-------------------|
| Display Area | 57.48(W)×28.68(H) | mm |
| Number of Dots | 128×64 | Dot |
| Dot Size (H×W) | 0.33×0.33 | mm |
| Dot Pitch (H×W) | 0.45×0.45 | mm |
| Color Illumination (VFD) | Green (λ p=505nm) | – |
| Luminance | 500 (Typ) | cd/m ² |

Note) By using a filter, uniform color range from blue to orange (including white) can be obtained.

2-3. ENVIRONMENT CONDITIONS

Table-3

| Item | Symbol | Min. | Max. | Unit |
|-----------------------|-------------------------|------|------|------|
| Operation Temperature | <i>T</i> _{opr} | -40 | +85 | °C |
| Storage Temperature | <i>T</i> _{stg} | -40 | +85 | °C |
| Operating Humidity | <i>H</i> _{opr} | 20 | 85 | % |
| Storage Humidity | <i>H</i> _{stg} | 20 | 90 | % |
| Vibration (10 ~ 55Hz) | – | – | 4 | G |
| Shock | – | – | 40 | G |

Note) Avoid operations and or storage in moist environmental conditions.

2-4. ABSOLUTE MAXIMUM RATINGS

Table-4

| Item | Symbol | Min. | Max. | Unit |
|----------------------|----------|------|--------------|------|
| Supply Voltage | V_{cc} | -0.3 | 6.0 | V |
| Input Signal Voltage | V_I | -0.5 | $V_{cc}+0.5$ | V |

2-5. RECOMMEND OPERATING CONDITIONS

Table-5

| Item | Symbol | Min. | Typ. | Max. | Unit |
|-----------------------|----------|---------------------|------|---------------------|------|
| Supply Voltage | V_{cc} | 4.5 | 5.0 | 5.5 | V |
| H-Level Input Voltage | V_{IH} | $V_{cc} \times 0.7$ | – | V_{cc} | V |
| L-Level Input Voltage | V_{IL} | 0 | – | $V_{cc} \times 0.3$ | V |

2-6. ELECTRICAL CHARACTERISTICS

Table-6

| Item | Symbol | Condition | Min. | Typ. | Max. | Unit |
|------------------------|----------|--------------------------------|----------------|------|----------|-------------------|
| Supply Current | I_{cc} | $V_{cc} = 5.0V_{dc}$ All on | – | 500 | 650 | mA |
| Power Consumption | – | | – | 2.5 | 3.5 | W |
| Luminance (VFD) | L | | 250 | 500 | – | cd/m ² |
| H-Level Output Voltage | V_{OH} | $I_{OH} = -2mA$ | $V_{cc} - 0.6$ | – | V_{cc} | V |
| L-Level Output Voltage | V_{OL} | $I_{OL} = 2mA$ | 0 | – | 0.4 | V |

Note) The surge current can be approx. 5 times the specified supply current at power on.

3. BASIC FUNCTION

- 3-1. Function Table
- 3-2. Function of Signal Lines
- 3-3. Command Table
- 3-4. Relationship of The Display Area to Address and Data
- 3-5. Function of Commands

3-1. Function Table

Table-7

| \overline{CS} | \overline{WR} | \overline{RD} | C/\overline{D} | MODE |
|-----------------|-----------------|-----------------|------------------|------------------|
| L | ↑ | H | H | Command Write-in |
| L | ↑ | H | L | Data Write-in |
| L | H | L | H | — |
| L | H | L | L | Data Read-out |

note)If the interface is selected Serial, please refer to 5-2 Timing Chart.

3-2. Function of Signal Lines

Table-8

| Signal | I/O | Function |
|------------------|-----|---|
| D0~D7 | I/O | 8bit Data Bus |
| \overline{WR} | I | Write Signal |
| \overline{RD} | I | Read Signal |
| \overline{CS} | I | Chip Select Signal |
| C/\overline{D} | I | Command / Data Select Signal $C/\overline{D} = "H"$: Command $C/\overline{D} = "L"$: Data Write and Data Read |
| INT | O | Frame Signal (One output pulse per one display frame) |
| SEL | I | Port to switch the interface. Open: Parallel Connect to GND: synchronous serial |
| SCLK | I | Synchronous Clock Signal |
| SI | I | Synchronous Input Signal |
| SO | O | Synchronous Output Signal |
| V_{cc} | — | +5V |
| GND | — | GND |

3-3. Command Table

The followings are all commands of this module.

After writing the command, necessary setting data should be written.

Table-9

| Command (C/ \bar{D} ="H") | Setting Data (C/ \bar{D} ="L") | Function | Default Select |
|--------------------------------|-------------------------------------|---|--------------------------|
| 00H | — | 1 st & 2 nd Screens are Displayed off | ○ |
| 01H | — | 1 st Screen is Displayed on | |
| 02H | — | 2 nd Screen is Displayed on | |
| 04H | — | Read/Write address is automatically incremented | ○ |
| 05H | — | Read/Write address is held | |
| 06H | — | Clear Screen | |
| 07H | D0~D7 | Control Power supply | 00H |
| 08H | D0~D7 | Display data write-in | |
| 09H | D0~D7 | Display data read-out | |
| 0AH | D0~D7 | Setting lower address for 1 st Screen started | 00H |
| 0BH | D0~D3 | Setting upper address for 1 st Screen started | 00H |
| 0CH | D0~D7 | Setting lower address for 2 nd Screen started | 00H |
| 0DH | D0~D3 | Setting upper address for 2 nd Screen started | 00H |
| 0EH | D0~D7 | Setting lower address of Read/Write | 00H |
| 0FH | D0~D3 | Setting upper address of Read/Write | 00H |
| 10H | — | Display OR of 1 st & 2 nd Screens | |
| 11H | — | Display EX-OR of 1 st & 2 nd Screens | |
| 12H | — | Display AND of 1 st & 2 nd Screens | |
| 13H | D0~D7 | Luminance Adjustment | 00H |
| 14H | D0~D7 | Display Mode | 00H |
| 15H | D0~D7 | INT Signal Mode | 00H |
| 20H | D0~D7 | Display Character | |
| 21H | D0~D7 | Setting the Character Starting Location of RAM | (X, Y) =(00H, 00H) |
| 22H | D0~D7 | Setting Size of Character | (X, Y) =(00H, 00H) |
| 24H | D0~D7 | Setting Brightness of Character | 00H |

Note) "—" in the above table is shown that the setting data is not needed.

3-4. Relationship of The Display Area to Address and Data

The following map is shown in case of 000H or display start address.

The actual display area is the part of enclosing with the solid line of FIG.1 and FIG.2.
 FIG.1 & FIG.3 indicate the map at start address to set to 000H.

| | 64-57 | 56-49 | 48-41 | 40-33 | 32-25 | 24-17 | 16-9 | 8-1 | |
|-----|-------|-------|-------|-------|-------|-------|-------|-------|-------|
| | D0-D7 | D0-D7 | D0-D7 | D0-D7 | D0-D7 | D0-D7 | D0-D7 | D0-D7 | D0-D7 |
| 1 | 7 | 6 | 5 | 4 | 3 | 2 | 1 | 0 | |
| 2 | F | E | D | C | B | A | 9 | 8 | |
| 3 | 17 | 16 | 15 | 14 | 13 | 12 | 11 | 10 | |
| | | | | | | | | | |
| 126 | 3EF | 3EE | 3ED | 3EC | 3EB | 3EA | 3E9 | 3E8 | |
| 127 | 3F7 | 3F6 | 3F5 | 3F4 | 3F3 | 3F2 | 3F1 | 3F0 | |
| 128 | 3FF | 3FE | 3FD | 3FC | 3FB | 3FA | 3F9 | 3F8 | |
| 129 | 407 | 406 | 405 | 404 | 403 | 402 | 401 | 400 | |
| | | | | | | | | | |
| 254 | 7EF | 7EE | 7ED | 7EC | 7EB | 7EA | 7E9 | 7E8 | |
| 255 | 7F7 | 7F6 | 7F5 | 7F4 | 7F3 | 7F2 | 7F1 | 7F0 | |
| 256 | 7FF | 7FE | 7FD | 7FC | 7FB | 7FA | 7F9 | 7F8 | |

FIG.1 Position of display dot to address and data

| | 64-57 | 56-49 | 48-41 | 40-33 | 32-25 | 24-17 | 16-9 | 8-1 | |
|-----|-------|-------|-------|-------|-------|-------|-------|-------|-------|
| | D0-D7 | D0-D7 | D0-D7 | D0-D7 | D0-D7 | D0-D7 | D0-D7 | D0-D7 | D0-D7 |
| 1 | 7F7 | 7F6 | 7F5 | 7F4 | 7F3 | 7F2 | 7F1 | 7F0 | |
| 2 | 7FF | 7FE | 7FD | 7FC | 7FB | 7FA | 7F9 | 7F8 | |
| 3 | 7 | 6 | 5 | 4 | 3 | 2 | 1 | 0 | |
| 4 | F | E | D | C | B | A | 9 | 8 | |
| | | | | | | | | | |
| 126 | 3DF | 3DE | 3DD | 3DC | 3DB | 3DA | 3D9 | 3D8 | |
| 127 | 3E7 | 3E6 | 3E5 | 3E4 | 3E3 | 3E2 | 3E1 | 3E0 | |
| 128 | 3EF | 3EE | 3ED | 3EC | 3EB | 3EA | 3E9 | 3E8 | |
| 129 | 3F7 | 3F6 | 3F5 | 3F4 | 3F3 | 3F2 | 3F1 | 3F0 | |
| | | | | | | | | | |
| 254 | 7CF | 7CE | 7CD | 7CC | 7CB | 7CA | 7C9 | 7C8 | |
| 255 | 7E7 | 7E6 | 7E5 | 7E4 | 7E3 | 7E2 | 7E1 | 7E0 | |
| 256 | 7FF | 7FE | 7FD | 7FC | 7EB | 7EA | 7E9 | 7E8 | |

FIG. 2 Indicate the map at start address to set to 7F0H

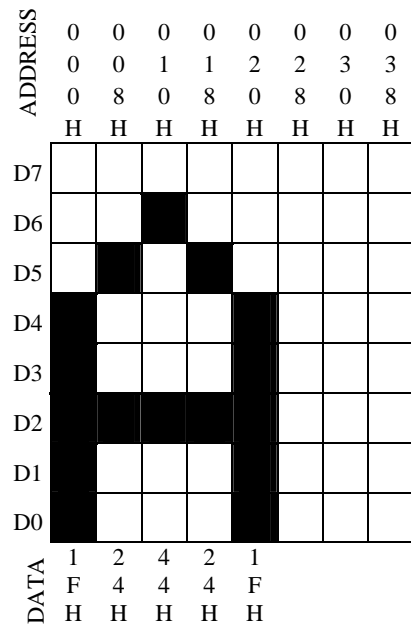


FIG. 3

Note) If the Screen mode is selected Gray scale mode, The total RAM area is 128 x 64.

3-5. Function of Commands

3-5-1. Screen Display on / off Control (00H, 01H, 02H, 03H)

The latest command becomes effective.

At power on, 1st and 2nd screens are set to Display off mode.

Therefore, the Display on mode command should be written in, after display pattern data input.

In case of executing Display on mode before display data input at initial, random pattern may be displayed.

3-5-2. Setting of Write Address Mode (04H, 05H)

These commands select either the write or read address is incremented by single step automatically or is held after data write and data read.

When a memory address is set to 7FFH, next memory address is set to 000H.

3-5-3. Clear Screen (06H)

Data of all area of screen RAM are filled with 00H.

After this command, all command is canceled in approximately 260μs.

3-5-4. Control Power supply(07H)

The Power supply in the module is turned off by this command.

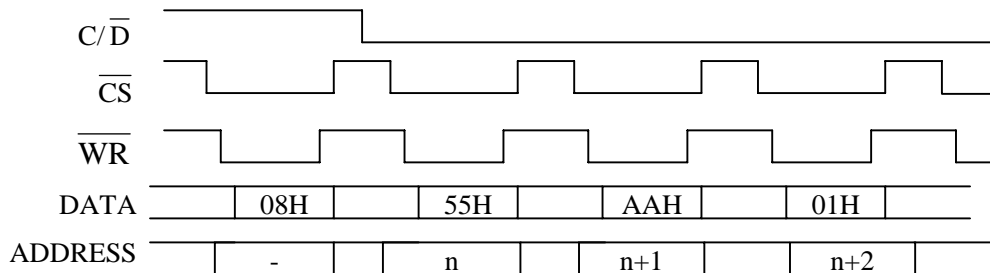
Table-10

| Mode | D7 | D6 | D5 | D4 | D3 | D2 | D1 | D0 |
|-----------|----|----|----|----|----|----|----|----|
| Power ON | 0 | 0 | 0 | 0 | 0 | 0 | 0 | 0 |
| Power OFF | 0 | 0 | 0 | 0 | 0 | 0 | 0 | 1 |

3-5-5. Data Write (08H)

After executing the Write address setting command, this command shall be executed.

The following indicate the display data 55H, AAH and 01H write-in.

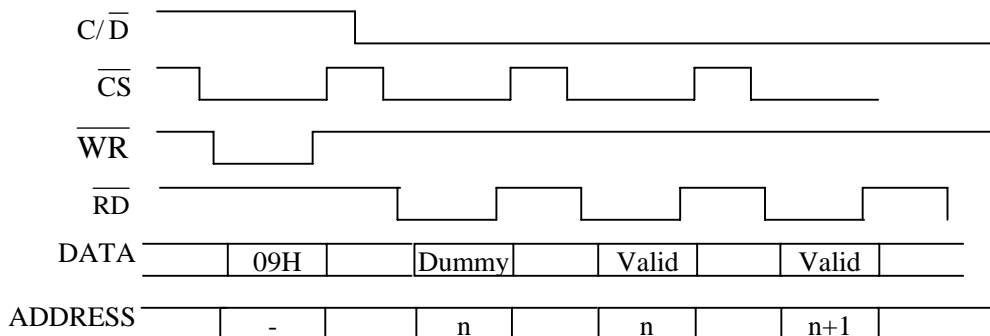


3-5-6. Data Read (09H)

After executing the Read address setting command, this command shall be executed.

Dummy read is necessary. The correct data can be read from the second byte.

The following indicate the display data read out.



3-5-7. Setting of Display Start Address (0AH, 0BH, 0CH, 0DH)

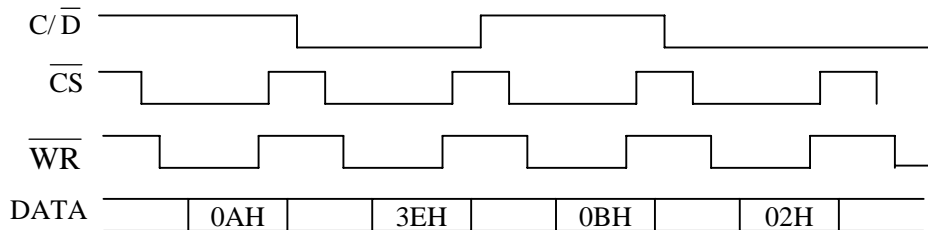
The display start address is just pointed to the left and top line of the display area.

1st and 2nd screens can be independently set the display start address each other.

This address is divided to the two portions with upper (four bits) and lower (eight bits) address, and lower address shall be set first, then set the upper address.

The smooth scroll of displaying can be achieved by synchronizing with the change of display address by the INT signal at every frame.

The following indicate the display start address of 1st screen to set to 23EH.



3-5-8. Setting of Write/Read Address (0EH, 0FH)

This command is set the write/read address of displaying data.

This address is divided the two portions with upper (four bits) and lower (eight bits) address, and lower address shall be set first, then set the upper address.

Only the upper address is available to be changed independently.

When the lower address is changed, it is required to change the both address.

3-5-9. Screen OR / EX-OR / AND Display Select (10H, 11H, 12H)

The latest command becomes effective. These commands set both 1st and 2nd screens on.

3-5-10. Luminance Adjustment (13H)

Write-in data allows luminance to be adjusted.

When the module is turned on, it is set to level 100%.

Table-11

| Luminance | Input Data | |
|--------------------|--------------------|-----------------|
| | No gray scale mode | Gray scale mode |
| 100% (Max.) | 00H | 00H |
| 90% | 06H | 07H |
| 80% | 0CH | 0EH |
| 70% | 12H | 15H |
| 60% | 18H | 1CH |
| 50% | 1EH | 24H |
| 40% | 24H | 2BH |
| 30% | 2AH | 32H |
| 0% (Display blank) | FFH | FFH |

Note1) Write-in data (FFH) allows luminance to be 0%.

Note2) Write-in data is available from 00H to 2AH with no gray scale mode.

Note3) Write-in data is available from 00H to 32H with gray scale mode.

Note4) Write-in data (from 2BH to FEH) prohibits with no gray scale mode.

Note5) Write-in data (from 33H to FEH) prohibits with gray scale mode.

3-5-11. Display Mode (14H)

When the module is turned on, it has to be selected the following display mode before other command is sent.

The display mode can be selected no gray scale mode or gray scale mode with 4 levels of brightness.

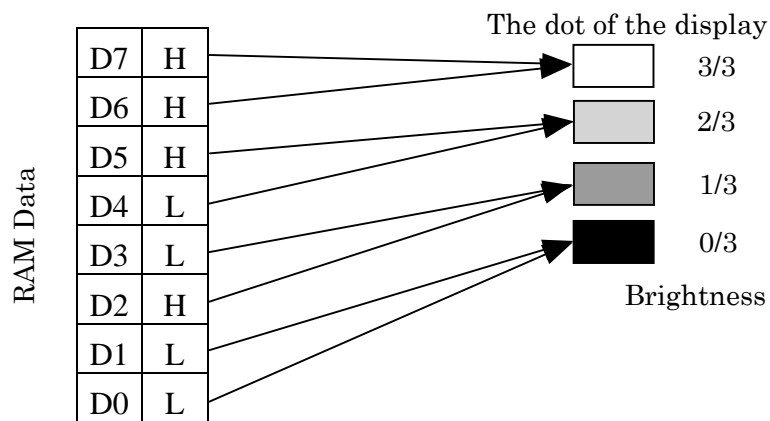
Table-12

| Mode | D7 | D6 | D5 | D4 | D3 | D2 | D1 | D0 |
|--------------------|----|----|----|----|----|----|----|----|
| No gray scale mode | 0 | 0 | 0 | 1 | 0 | 0 | 0 | 0 |
| Gray scale mode | 0 | 0 | 0 | 1 | 0 | 1 | 0 | 0 |

If the mode is gray scale, each dot has one of 4 brightness levels.

The relationship between the data and the display brightness is as follows.




4 levels gradation is able to be displayed 1 dot by 2 bits data of D7-D6, D5-D4, D3-D2, and D1-D0.



3-5-12. INT Signal mode (15H)

This command sets the mode of INT signal.

Table-13

| Signal Mode | D7 | D6 | D5 | D4 | D3 | D2 | D1 | D0 |
|---|----|----|----|----|----|----|----|----|
| No signal  | 0 | 0 | 0 | 0 | 0 | 0 | 0 | 0 |
| Positive  | 0 | 0 | 0 | 0 | 0 | 0 | 0 | 1 |
| Negative  | 0 | 0 | 0 | 0 | 0 | 0 | 1 | 1 |

3-5-13. Display Character (20H)

By this command character can be displayed.

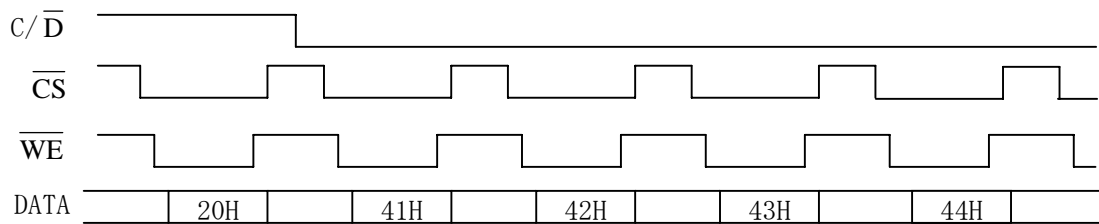
Character location of the RAM and Font is applied by the following commands.

- Setting the Character Starting Location of RAM (Command 21H)
- Setting Size of Character (Command 22H)
- Setting Brightness of Character (Command 24H)

After this command, the data should be written as string.

If the character is displayed, the location of character will be moved.

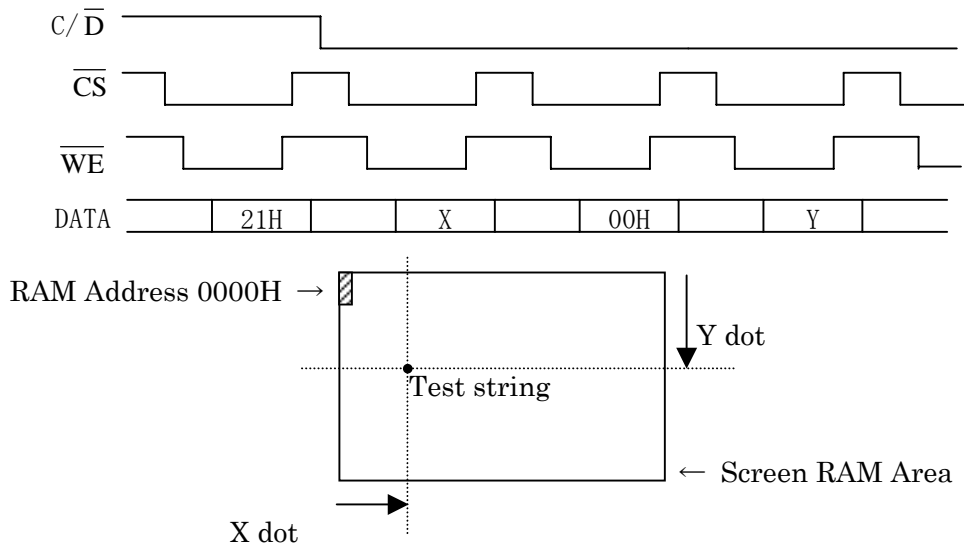
The following indicate when the string "ABCD" is displayed.



3-5-14. Setting the Character Starting Location of RAM (21H)

By this command the location of character is set.

X and Y should be set.



3-5-15. Setting Size of Character (22H)

By this command the size of character is set.

X and Y should be set.

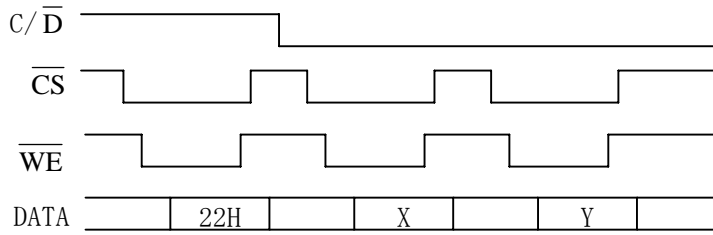


Table-14

| | | | |
|------|---|-----|---------------|
| Size | X | 00H | Normal |
| | | 01H | Double width |
| | | 02H | Triple width |
| | | 03H | Quad width |
| | Y | 00H | Normal |
| | | 01H | Double height |
| | | 02H | Triple height |
| | | 03H | Quad height |

Note) The only Y = 00H can be set with grey scale mode.

3-5-16. Setting Brightness of Character (24H)

By this command the brightness of character is set.

Table-15

| | | |
|-------------------|-----|----------------|
| Gray Scale number | 00H | Brightness 3/3 |
| | 01H | Brightness 2/3 |
| | 02H | Brightness 1/3 |

Note) This command is invalid with no gray scale mode.

4. INTERFACE CONNECTION

The using connector: 2213-20G (NELTRON Industrial)

(a) Selected the Parallel (SEL is open)

Table - 16

| Pin No. | Description | Pin No. | Description |
|---------|-----------------|---------|-------------------|
| 1 | D0 | 2 | D1 |
| 3 | D2 | 4 | D3 |
| 5 | D4 | 6 | D5 |
| 7 | D6 | 8 | D7 |
| 9 | GND | 10 | INT |
| 11 | \overline{WR} | 12 | \overline{RD} |
| 13 | \overline{CS} | 14 | C/ \overline{D} |
| 15 | Vcc | 16 | Vcc |
| 17 | Vcc | 18 | GND |
| 19 | GND | 20 | SEL (open) |

Note1) All GND pins are connected in the module.

Note2) Please don't connect any to the No.20(SEL).

(b) Selected the synchronous serial (SEL is connected to GND.)

Table - 17

| Pin No. | Description | Pin No. | Description |
|---------|-----------------|---------|-------------------|
| 1 | N.C. (open) | 2 | N.C. (open) |
| 3 | N.C. (open) | 4 | N.C. (open) |
| 5 | N.C. (open) | 6 | N.C. (open) |
| 7 | N.C. (open) | 8 | SO |
| 9 | GND | 10 | INT |
| 11 | CLK | 12 | SI |
| 13 | \overline{CS} | 14 | C/ \overline{D} |
| 15 | Vcc | 16 | Vcc |
| 17 | Vcc | 18 | GND |
| 19 | GND | 20 | SEL (GND) |

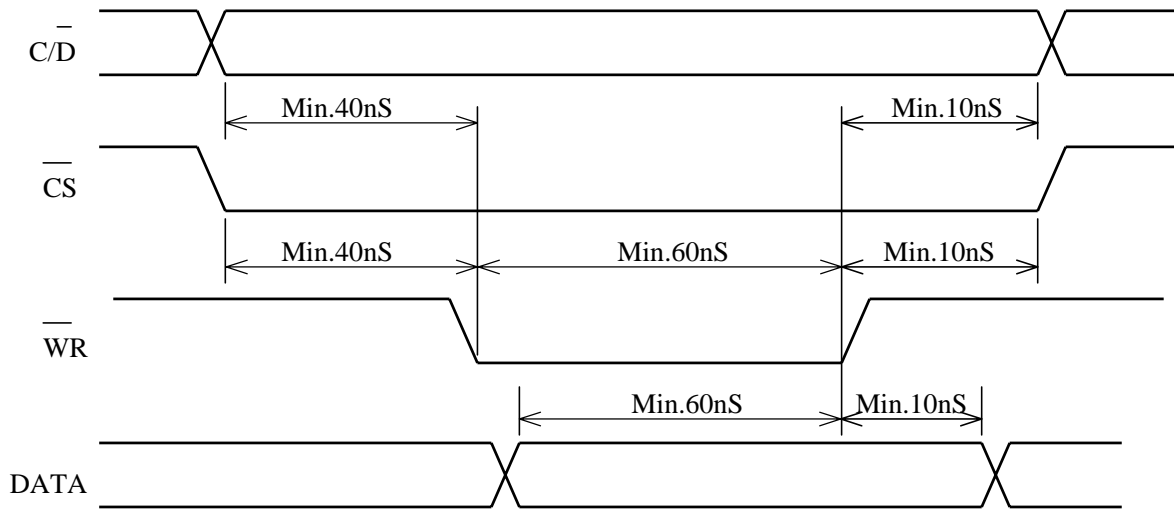
Note1) All GND pins are connected in the module.

Note2) Please connect GND to the No.20(SEL).

5. TIMING CHART

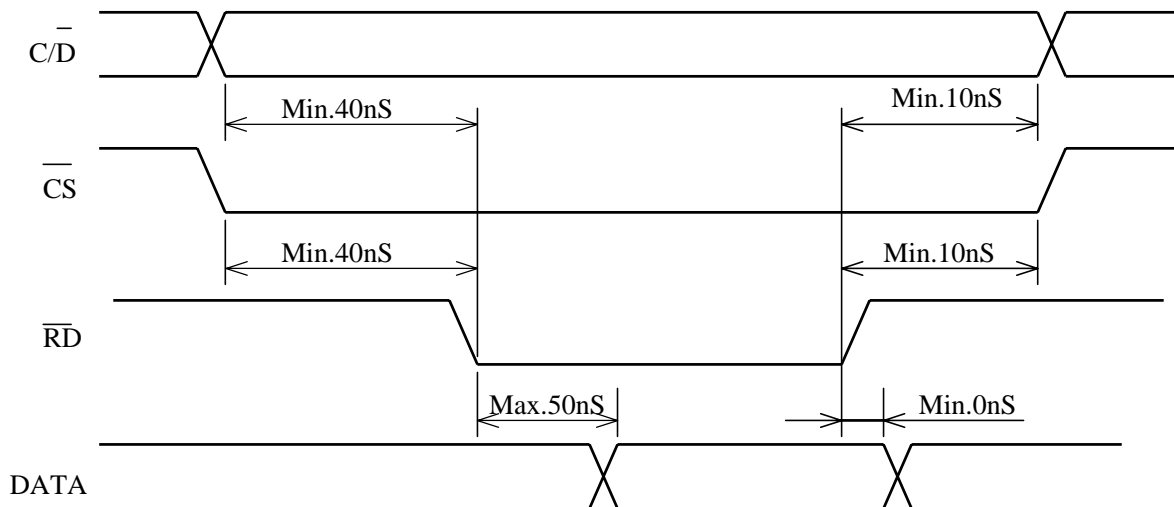
5-1. The Parallel interface

5-1-1. Write-in timing



1) The time of each one byte access is necessary with 600ns min.

5-1-2. Read-out timing



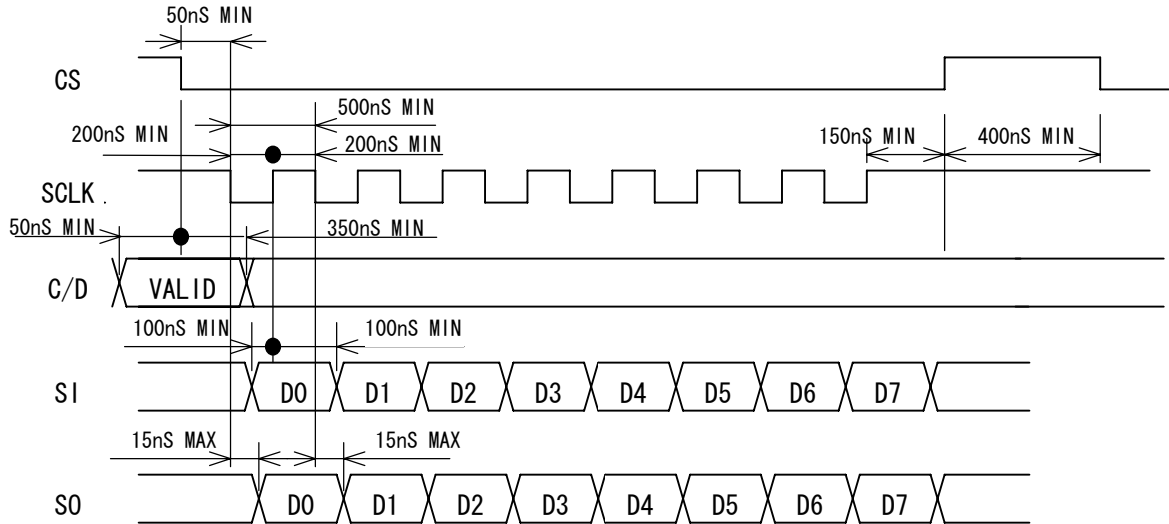
1) The time of each one byte access is necessary with 1us min.

5-2 Synchronous serial interface

The SI signal should be input from the LSB.

The SI signal is gotten when the SCLK rises.

The distinction of SI signal between DATA and COMMAND depends C/D signal when CS is down.



Ex.1) Display data write-in (the way to write 2 bytes of display data.)

Table-18

| Step | Content from host | Epexegesis |
|------|-------------------|--|
| 1 | Output 'H' to C/D | |
| 2 | CS ↓ | The usage of SI signal after this step is determined. By the step1, The SI signal is command because of C/D='H'. |
| 3 | Send 08H to SI | Command 08H Display data write-in |
| 4 | CS ↑ | |
| 5 | Output 'L' to C/D | |
| 6 | CS ↓ | The usage of SI signal after this step is determined. By the step5, The SI signal is data because of C/D='L'. In addition, the 400ns interval needs between step4 and step 6. |
| 7 | Send 55H to SI | Display data 55H write-in |
| 8 | Send 21H to SI | Display data 21H write-in In addition, the 600ns interval needs between step7 and step 8. |
| 9 | CS ↑ | |

Ex.2) Display data read-out (the way to read 2 bytes of display data.)

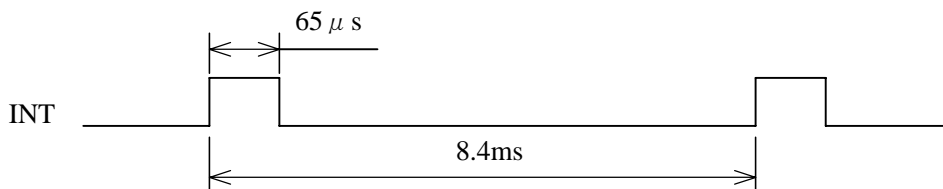
Table-19

| Step | Content from host | Epexegeisis |
|------|-----------------------|--|
| 1 | Output 'H' to C/D | |
| 2 | CS ↓ | The usage of SI signal after this step is determined. By the step1, The SI signal is command because of C/D='H'. |
| 3 | Send 09H to SI | Command 09H Display data read-out |
| 4 | CS ↑ | |
| 5 | Output 'L' to C/D | |
| 6 | CS ↓ | The usage of SI signal after this step is determined. By the step5, The SI signal is ignore because of C/D='L'. In addition, the 400ns interval needs between step4 and step 6. |
| 7 | Receive 1byte from SO | Dummy read-out |
| 8 | Receive 1byte from SO | Display data read-out (First byte) In addition, the 1us interval needs between step7 and step 8. |
| 9 | Receive 1byte from SO | Display data read-out (Second byte) In addition, the 1us interval needs between step8 and step 9. |
| 10 | CS ↑ | |

5-3. INT timing

INT signal synchronizes frame frequency. The module generates 65μsec of INT signal at every 8.4msec.

For smooth scroll, Setting Start Address should be executed during period of INT="H". (INT="L", if logic mode is negative.)



6. THE INITIALIZE AFTER POWER-ON

Host should do the initialize after power-on.

The following command is used in initialize.

- command 14H Display Mode

Ex.) To turn on a pixel which located in 10th from screen left end and 4th from screen top end.

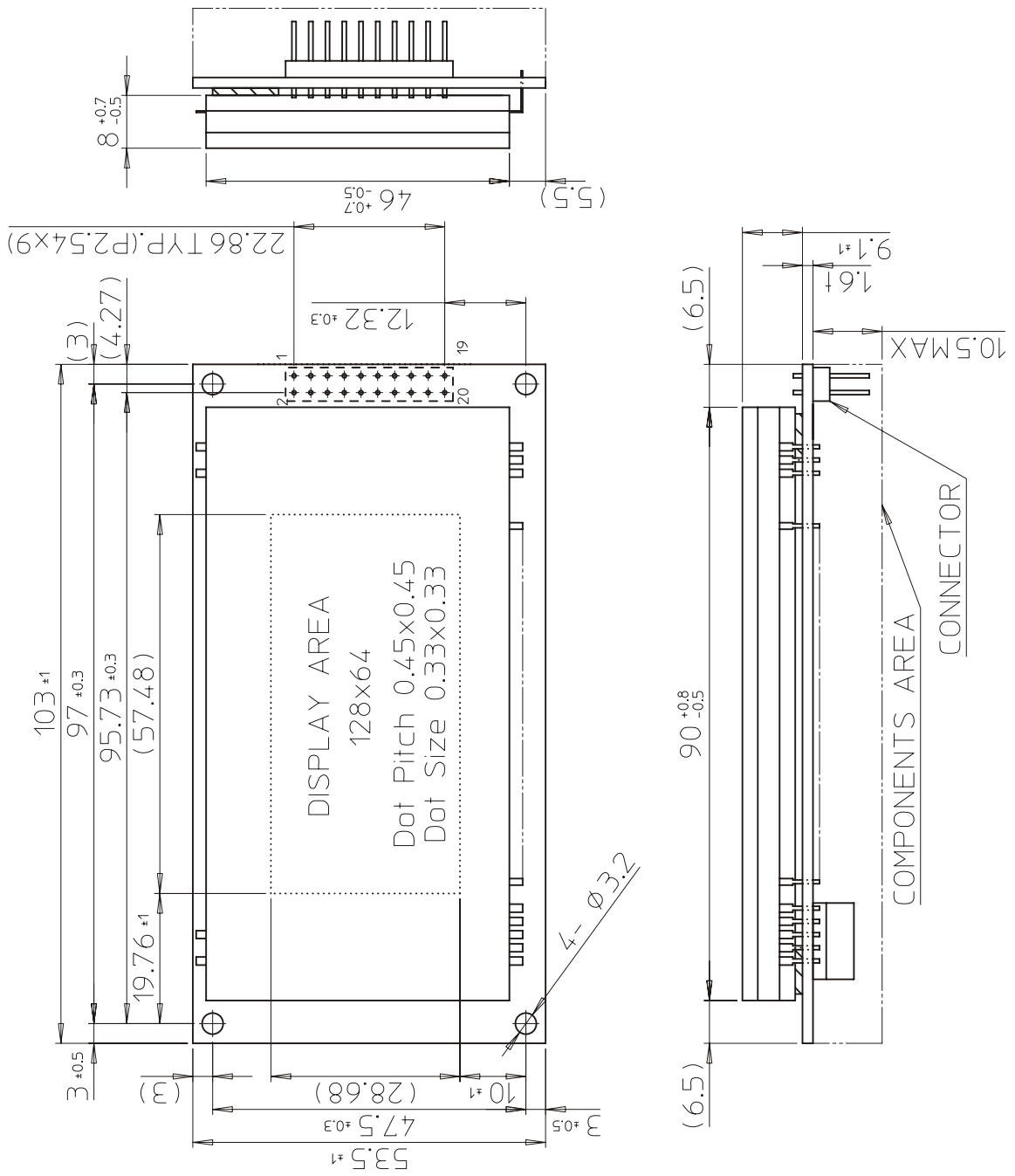
(Parallel Interface)

Table-20

| Step | Content from host | Epexegeisis |
|------|-------------------|--|
| 1 | C/D='H' 14H WR ↓ | Display Mode command |
| 2 | C/D='L' 10H WR ↓ | The display mode (no gray scale mode) |
| 3 | C/D='L' 06H WR ↓ | Clear Screen (06H) |
| 4 | C/D='H' 01H WR ↓ | 1 st Screen is Displayed on (01H) |
| 5 | C/D='H' 0EH WR ↓ | Setting lower address of Write |
| 6 | C/D='L' 48H WR ↓ | Setting lower address 48H |
| 7 | C/D='H' 0FH WR ↓ | Setting upper address of Write |
| 8 | C/D='L' 00H WR ↓ | Setting upper 3bits 000B |
| 9 | C/D='H' 08H WR ↓ | Display data write-in(08H) |
| 10 | C/D='L' 10H WR ↓ | The display data 10H |

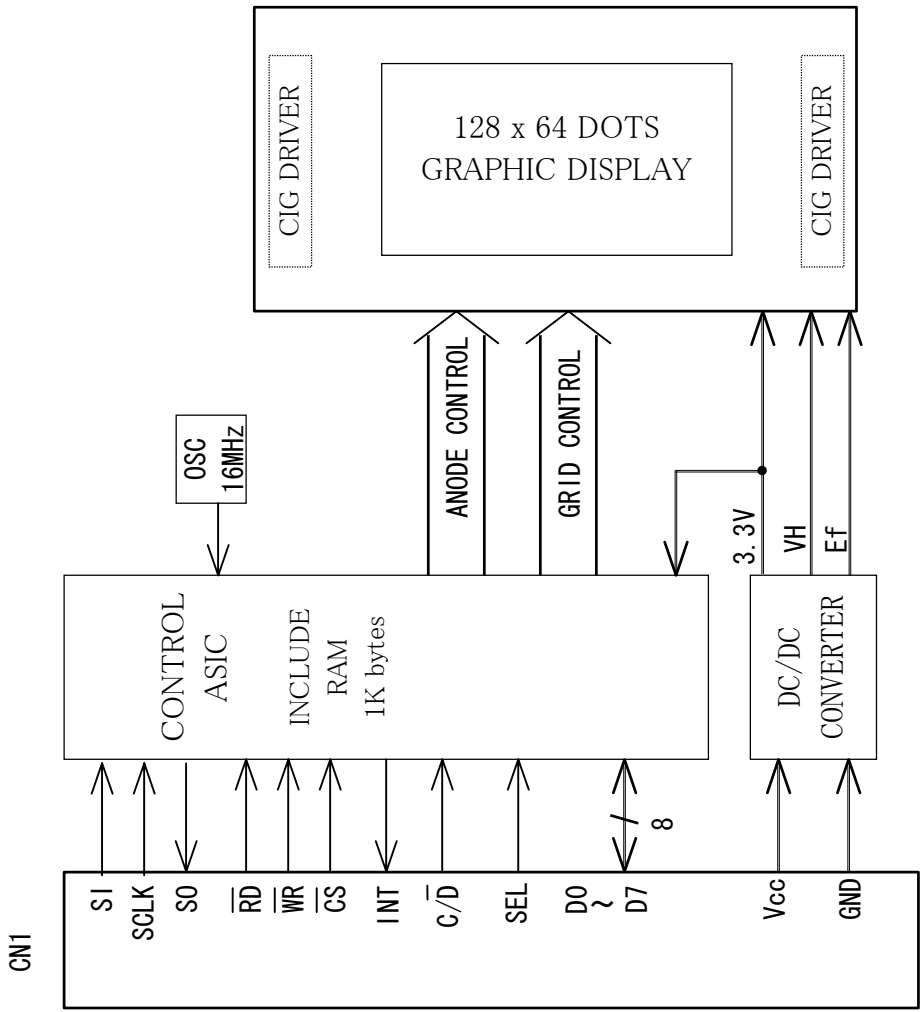
OUTER DIMENSION

FIGURE-4



CIRCUIT BLOCK DIAGRAM

FIGURE-5



FONT TABLE

FIGURE-6

| | +0 | +1 | +2 | +3 | +4 | +5 | +6 | +7 | +8 | +9 | +A | +B | +C | +D | +E | +F |
|----|----|----|----|----|----|----|----|----|----|----|----|----|----|----|----|----|
| 20 | | ! | " | # | \$ | % | & | ' | (|) | * | + | , | - | . | / |
| 30 | 0 | 1 | 2 | 3 | 4 | 5 | 6 | 7 | 8 | 9 | : | ; | < | = | > | ? |
| 40 | @ | A | B | C | D | E | F | G | H | I | J | K | L | M | N | O |
| 50 | P | Q | R | S | T | U | V | W | X | Y | Z | [| \ |] | ^ | _ |
| 60 | ` | a | b | c | d | e | f | g | h | i | j | k | l | m | n | o |
| 70 | p | q | r | s | t | u | v | w | x | y | z | { | | } | ~ | ■ |

7. WARRANTY

This display module is guaranteed for 1 year after the shipment from FUTABA.

8. CAUTIONS FOR DETERMINING AND EXPORTING REGULATED GOODS OR SERVICES

This product does not correspond to the goods or services regulated by Japan's Foreign Exchange and Foreign Trade Law. If this product is combined with other products in order to make equipment, whether this product is regulated or not is judged by such newly made equipment. We ask you to determine by yourself whether the equipment corresponds to the regulated goods when this product is incorporated in the equipment.

We also ask you to confirm that this product will not be incorporated in any weapon or used for manufacturing any weapon.

If you export or re-export this product, we recommend you to adopt measures for appropriate export procedures, if any.

9. CAUTIONS FOR OPERATION

- 9-1. Applying lower voltage than the specified may cause non activation for selected pixels. Conversely, higher voltage may cause non-selected pixel to be activated.
If such a phenomenon is observed, check the voltage level of the power supply.
- 9-2. The DC/DC converter generates approximately 64Vdc, avoid touching it with bare hands, or to other circuits.
- 9-3. Avoid using the module where excessive noise interface is expected.
Noise affects the interface signal and causes improper operation.
Keep the length of the interface cable less than 30cm.
(When the longer cable is required, please confirm there is no noise affection.)
- 9-4. When power is turned off, the capacitor will not discharge immediately.
Avoid touching IC and others.
The shorting of the mounted components within 30 sec., after power off, may cause damage.
- 9-5. When fixed pattern is displayed for a long time, you may see uneven luminance.
It is recommended to change the display patterns sometimes in order to keep best display quality.
- 9-6. DC/DC converter is equipped on the module, the surge current may be approximately 5 times the specified supply current at the power on.

REMARKS :

The specification is subject to change without prior notice.

Your consultation with FUTABA sales office is recommended for the use of this module.