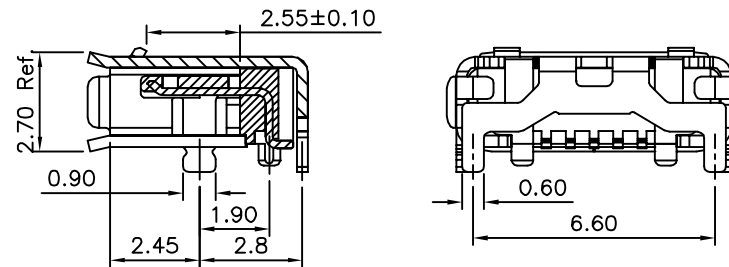
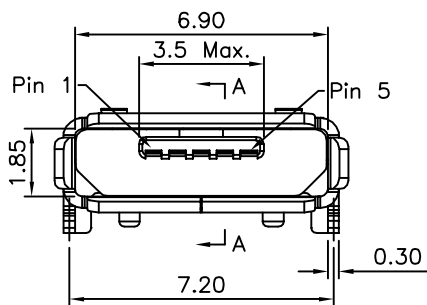
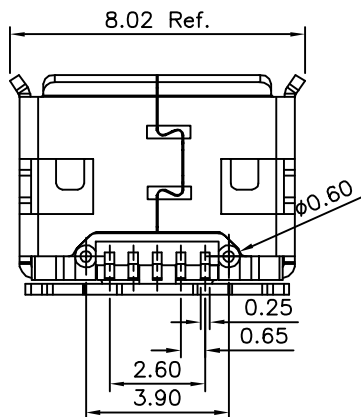


Recommended P.C.B. Layout (Top View)
(PCB Board Tolerance ±0.05)



Section A-A



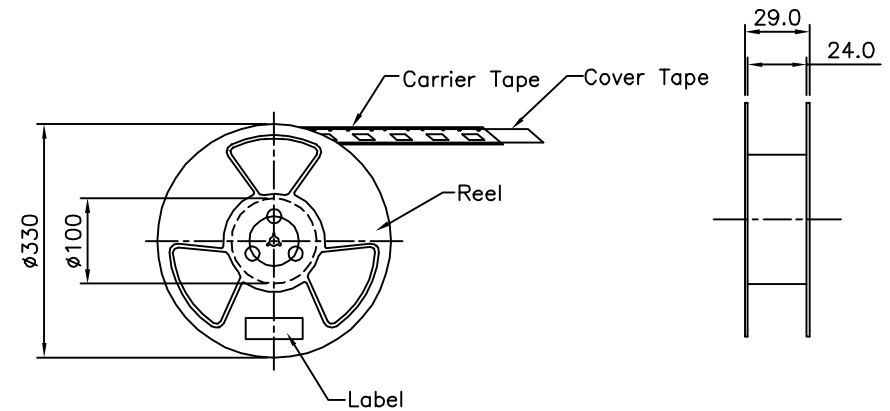
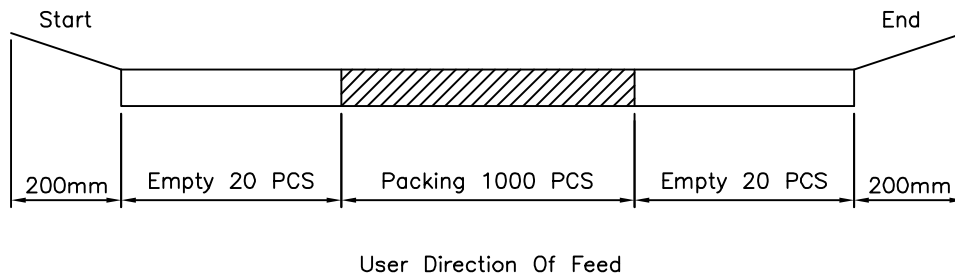
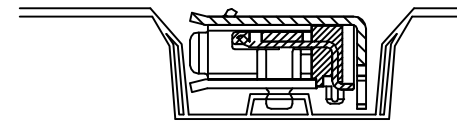
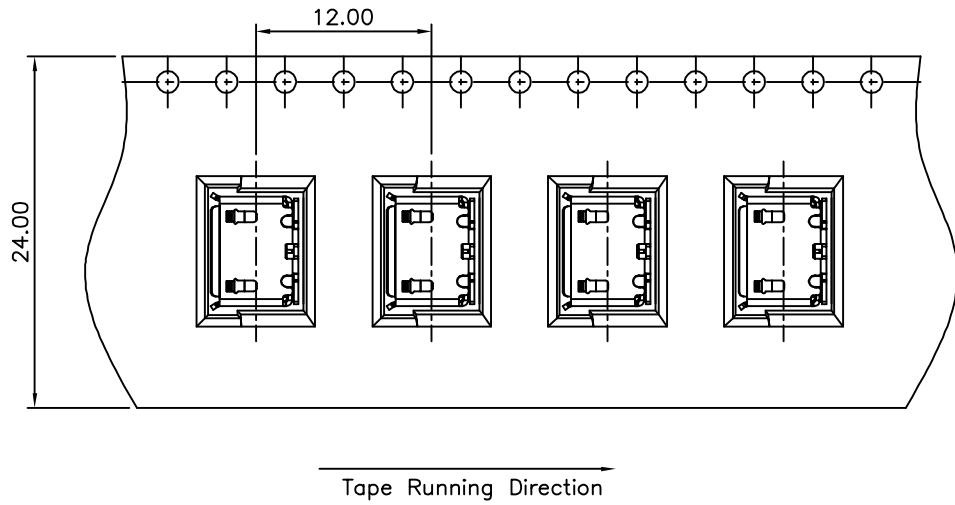
SPECIFICATION
 ⚠ Power Supply: 1.8 Amp (Pin 1, 5), Other Contacts 0.5 Amp
 Voltage: 30V Max.
 Withstanding Voltage: 100V AC
 Insulation Resistance: 100 Megaohms Min.
 Contact Resistance: 30 Milliohms Max.
 40 Milliohms Max. After 10000 Cycles
 Temperature Range: -30°C ~ +80°C
 Mating Force: 35N Max.
 Withdrawal Force: 10N Min.
 Durability: 10000 Cycles Min.
 8~20N After 10000 Cycles
 Insulator: LCP+30%G.F. (UL94V-0)
 Contact: Brass
 Gold Flash Over All, Over Nickel
 ⚠ Shell: SUS301, Nickel Plated Over All
 RoHS Compliant

4UCON 元化興業股份有限公司
 4UCON TECHNOLOGY INC.

DRAWING No.		APPROVED BY		UNLESS OTHERWISE SPECIFIED TOLERANCES ARE .X ±0.38 .X* ±2* .XX ±0.25 .XX* ±1* .XXX ±0.13 .XXX* ±0.5*	
20329		EMILY			
		CHECKED BY			
		HZF			
		DRAWING BY		UNIT	
		SONG			mm
SCALE	NONE	REV.	A3		

NO.	REV.	REVISIONS	CHK	DATE
⚠ A3		Modify Data	HZF	04/09/2013
⚠ A2		Modify Data	HZF	02/20/2012
⚠ A1		Modify Spec.	HZF	12/29/2011
⚠ A0		NEW RELEASE	HZF	06/13/2011

SPECIFICATION
 Reel: $\phi 330 \times 29 \text{mm}$
 Q'ty: 1000 PCS/Reel
 RoHS Compliant



4UCON 元化興業股份有限公司
 4UCON TECHNOLOGY INC.

DRAWING No.
 20329

APPROVED BY
 EMILY
 CHECKED BY
 HZF
 DRAWING BY
 SONG
 REV. A3

UNLESS OTHERWISE SPECIFIED TOLERANCES ARE
 .X ± 0.38
 .XX ± 0.25
 ANG.
 UNIT mm

NO.	REV.	REVISIONS	CHK	DATE
A3		Modify Data	HZF	04/09/2013
A2		Modify Data	HZF	02/20/2012
A1		Modify Spec.	HZF	12/29/2011
A0		NEW RELEASE	HZF	06/13/2011