

利豐光電股份有限公司

製品仕様書

產品名稱：0915A015M

產品料號：01509151101

客戶品名:

客戶料號：990000601

修訂一覽表

項次	修訂日期	版次	頁數	修訂內容摘要	修訂	審核	核准
<u>1</u>	<u>2009/06/12</u>	<u>V0.1</u>	<u>23</u>	<u>暫訂版發行</u>			

1. FEATURES

The 1.5" LCD is the active matrix color TFT LCD . LTPS (Low Temperature Poly Silicon) TFT technology is applied with vertical and horizontal drivers built on the panel. Both of horizontal and vertical scan are reversible and controlled by the serial interface commands. The product is designed for the requirement of the green product, and the specification complies with VAP's "Green Product Chemical Substance Specification Standard Hand Book".

2. GENERAL SPECIFICATIONS

Item	Description	Unit
Display Size (Diagonal)	1.5	Inch
Display Type	Transmissive	-
Active Area (HxV)	29.79 x 22.32	mm
Number of Dots (HxV)	480 x 240	Dot
Dot Pitch (HxV)	0.0625 x 0.0938	mm
Color Arrangement	RGB Delta	-
Color Numbers	16Million	-
Outline Dimension (HxVxT)	37.1 x 32.7 x 2.6*	mm
Weight	4.5	G
Panel surface treatment	Hard Coating(2H)	-

*Exclude FPC and protrusions.

3. INPUT/OUTPUT TERMINALS

3.1 TFT LCD Panel

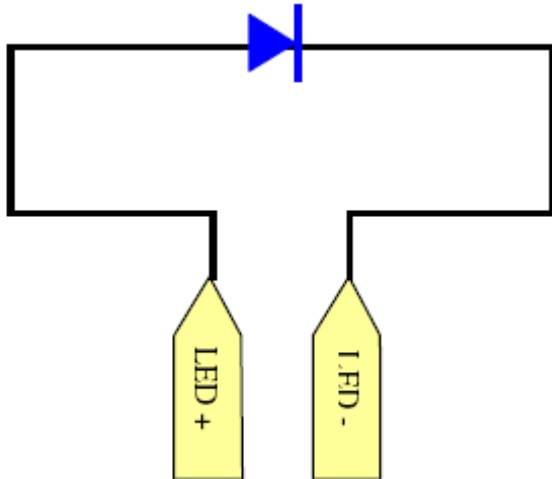
Recommend connector:

Compatible with Molex 51374-4073

Pin	Symbol	I/O	Description	Remark
1	CP3	C	Capacitor for power setting	
2	CP4	C	Capacitor for power setting	
3	CP5	C	Capacitor for charge pump	
4	CP6	C	Capacitor for charge pump	
5	CP7	C	Capacitor for charge pump	
6	CP8	C	Capacitor for charge pump	
7	DUMMY	--	Dummy	
8	DUMMY	--	Dummy	
9	PCD	C	Capacitor for pre-charge data signal high	
10	VCOML	C	Capacitor for VCOM low	
11	VCOMH	C	Capacitor for VCOM high	
12	AGND	--	Analog ground	
13	DUMMY	--	Dummy	
14	AVDD	C	Regulation capacitor for analog voltage	
15	CP1	C	Capacitor for charge pump	
16	CP2	C	Capacitor for charge pump	
17	PWM	O	Power transistor gate signal for the boost converter	
18	FB	I	Main boost regulator feedback input.	
19	LED-		LED power: cathode	Note 3-1
20	DUMMY	--	Dummy	
21	DUMMY	--	Dummy	
22	LED+		LED power: anode	Note 3-1
23	GND		Ground	
24	VCC		Power supply	
25	VSYNC	I	Vertical sync input. Negative polarity	
26	HSYNC	I	Horizontal sync input. Negative polarity	
27	DCLK	I	Clock signal, latch data onto line latches at the rising edge	
28	DIN0	I	Data input	
29	DIN1	I	Data input	
30	DIN2	I	Data input	

31	DIN3	I	Data input	
32	DIN4	I	Data input	
33	DIN5	I	Data input	
34	DIN6	I	Data input	
35	DIN7	I	Data input	
36	SDA	I/O	Serial interface data line	
37	SCL	I	Serial interface clock line	
38	SCEN	I	Serial interface chip enable line	
39	SHDB	I	Sleep mode setting pin	
40	GREST	I	Grobal reset pin	

Note 3-1: The figure below shows the connection of backlight LED.



4. ABSOLUTE MAXIMUM RATINGS

Ta = 25°C

Item	Symbol	MIN	MAX	Unit	Remark
Logic Power Supply Voltage	V _{CC}	-0.5	5	V	
Input Signal Voltage	V _{IN1}	0	V _{CC}	V	VD, HD, DCLK, DIN[0:7], SDA, SCL, SCEN, SHDB, GRESTB
Back Light Forward Current	I _F	--	27	mA	
Operating Temperature	T _{OPR}	0	+60	°C	
Storage Temperature	T _{STG}	-30	+80	°C	

5. ELECTRICAL CHARACTERISTICS

5.1. Driving TFT LCD Panel

GND=0V, Ta=25°C

Item	Symbol	MIN	TYP	MAX	Unit	Remark	
Power Supply Voltage	V _{CC}	2.85	3.0	3.6	V	Note 5-1	
Input Signal Voltage	Low Level	V _{IL}	GND	-	0.2x V _{CC} *	V	VD, HD, DCLK, DIN[0:7], SDA, SCL, SCEN, SHDB, GRESTD
	High Level	V _{IH}	0.8x V _{CC} *	-	V _{CC} *	V	
PWM Output Voltage	V _{PWM}	0	-	V _{CC} *	V		
Feedback Voltage	V _{FB}	0.55	0.6	0.65	V	Note 5-2	
Panel Power Consumption	W _P	-	-	50	mW		

V_{CC}* =V_{CC} (TYP)

Note 5-1: The V_{CC} power is provided for overall panel module supply voltage.

Note 5-2: DC/DC feedback control voltage

5.2 Driving Backlight

Ta=25°C

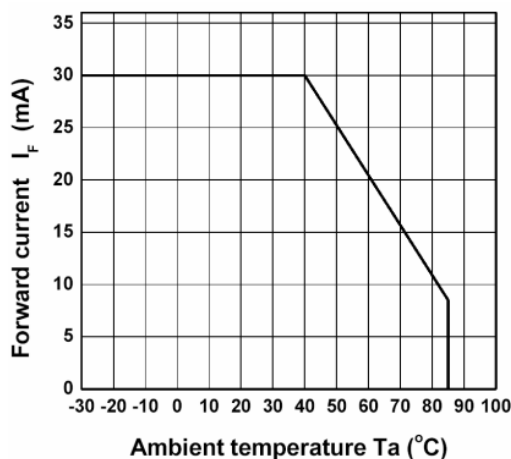
Item	Symbol	MIN	TYP	MAX	Unit	Remark
Forward Current	I _F	-	23	25	mA	Note 5-3
Forward Current Voltage	V _F	-	3.4	-	V	
Backlight Power Consumption	W _{BL}	-	78.2	-	mW	

Note 5-3: Backlight driving circuit is recommended as the fix current circuit.

* Ta: Ambient Temperature.

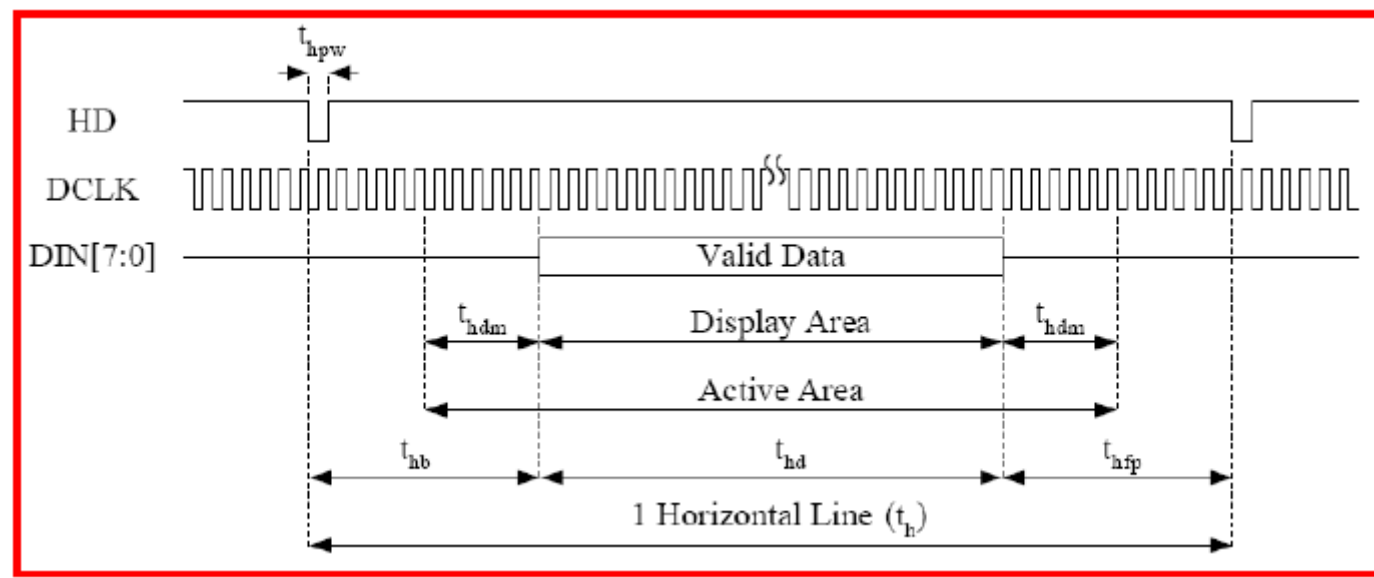
* High temperature operation: Test current refers the diagram as following.

* High Temperature & High Humidity Operation: Test current is 15mA.



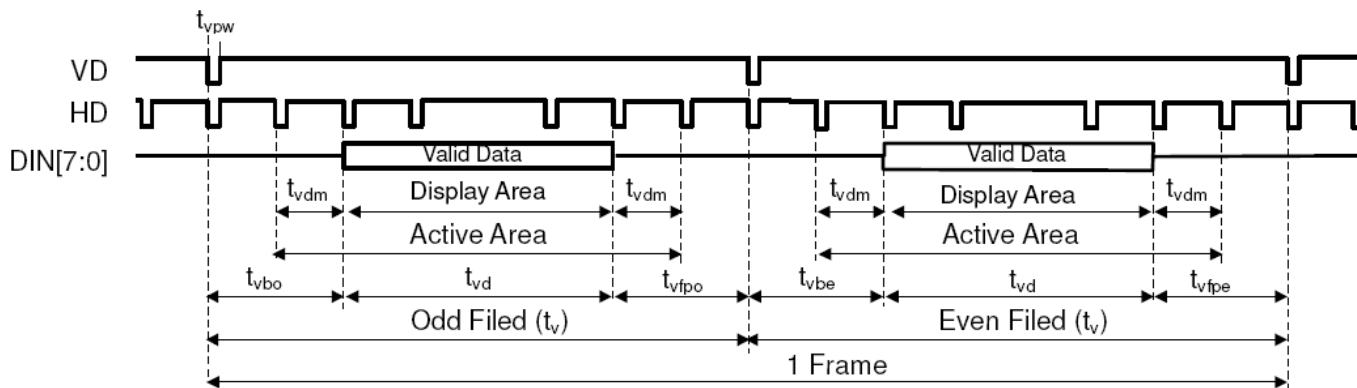
6. TIMING CHART

6.1 Through Mode: Horizontal

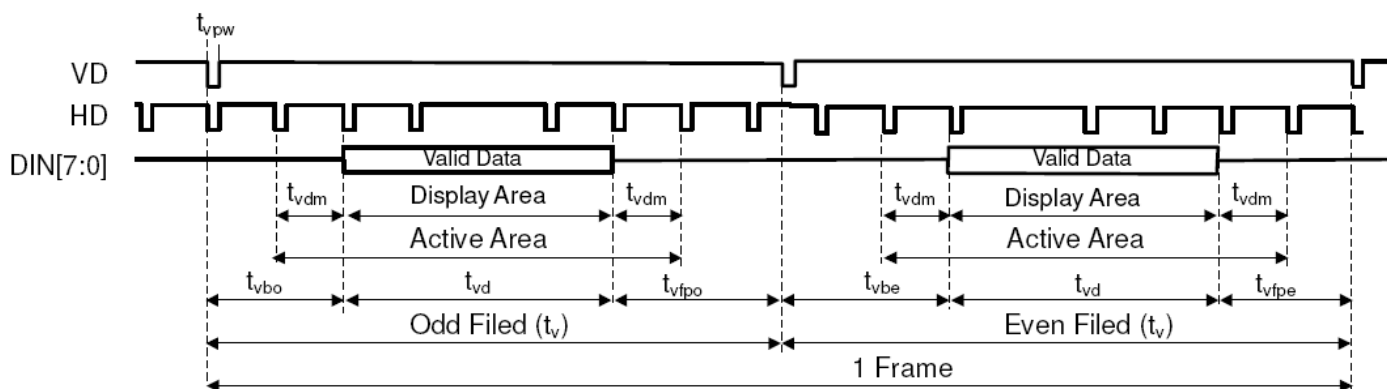


Item	Symbol	MIN	TYP	MAX	Unit
DCLK Frequency	DCLK	--	10.36	--	MHz
Horizontal Display Active	Display Area	--	480	--	DCLK
Horizontal Total Time	t_h	--	659	--	DCLK
HSYNC Pulse Width	t_{hpw}		1	--	DCLK
Horizontal Back Porch	t_{hb}	--	96	--	DCLK
Horizontal Front Porch	t_{hfp}	--	83	--	DCLK

6.2 Through Mode: Vertical



Non-Interlace Mode



Interlace Mode

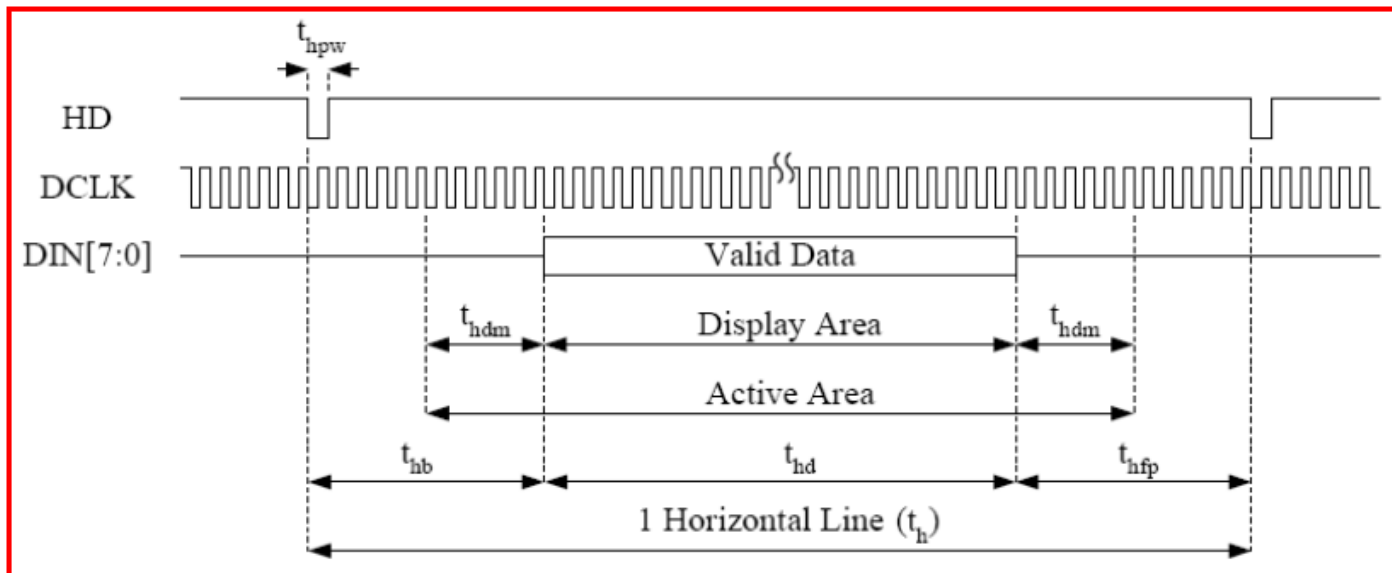
(1) Non-Interlace Mode

Item	Symbol	MIN	TYP	MAX	Unit	
Vertical Display Active	t_{vd}	-	240	-	Line	
Vertical Total Time	t_v	-	262	-	Line	
VSYNC Pulse Width	t_{vpw}	1	1	-	DCLK	
Vertical Back Porch	Odd Field	t_{vbo}	-	14	-	Line
	Even Field	t_{vbe}	-	14	-	Line
Vertical Front Porch	Odd Field	t_{vfpo}	-	8	-	Line
	Even Field	t_{vfpe}	-	8	-	Line
Vertical Dummy	t_{vdm}	-	0	-	Line	

(2) Non-Interlace Mode

Item	Symbol	MIN	TYP	MAX	Unit	
Vertical Display Active	t_{vd}	-	240	-	Line	
Vertical Total Time	t_v	-	262.5	-	Line	
VSYNC Pulse Width	t_{vpw}	1	1	-	DCLK	
Vertical Back Porch	Odd Field	t_{vbo}	-	14	-	Line
	Even Field	t_{vbe}	-	14.5	-	Line
Vertical Front Porch	Odd Field	t_{vfpo}	-	8.5	-	Line
	Even Field	t_{vfpe}	-	8	-	Line
Vertical Dummy	t_{vdm}	-	0	-	Line	

6.3 Serial RGB Dummy Mode and Serial YUV 4:2:2 Mode: Horizontal



(1) YUV Mode: ITUR601-NTSC

Item	Symbol	MIN	TYP	MAX	Unit
Dot Clock Period	DCLK	--	27	--	MHz
Horizontal Display Active	Display Area	--	1440	--	DCLK
Horizontal Total Time	t_h	--	1716	--	DCLK
HSYNC Pulse Width	t_{hpw}	--	1	--	DCLK
Horizontal Back Porch	t_{hb}	--	240	--	DCLK
Horizontal Front Porch	t_{hfp}	--	36	--	DCLK

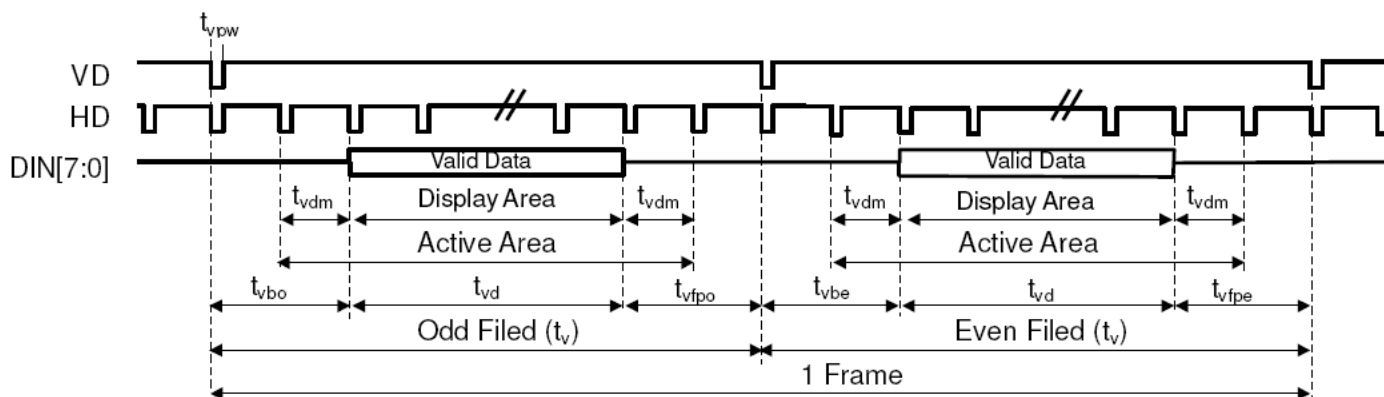
(2) YUV Mode: ITUR601-PAL

Item	Symbol	MIN	TYP	MAX	Unit
Dot Clock Period	DCLK	--	27	--	MHz
Horizontal Display Active	Display Area	--	1440	--	DCLK
Horizontal Total Time	t_h	--	1728	--	DCLK
HSYNC Pulse Width	t_{hpw}	--	1	--	DCLK
Horizontal Back Porch	t_{hb}	--	240	--	DCLK
Horizontal Front Porch	t_{hfp}	--	48	--	DCLK

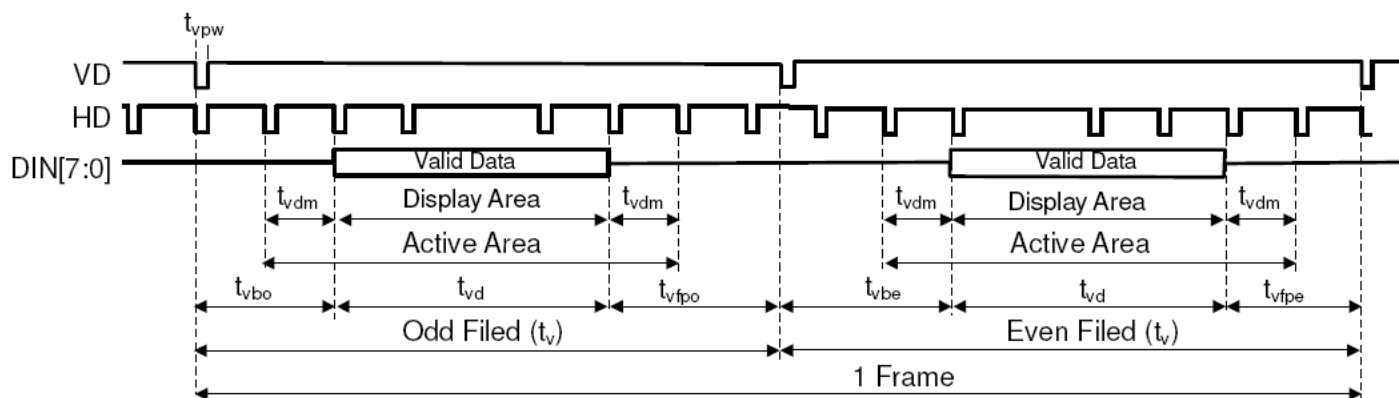
(3) PGB Dummy Mode

Item		Symbol	MIN	TYP	MAX	Unit
Dot Clock Fre-quency	QVGA	DCLK	--	25	--	MHz
	NTSC		--	25.54	--	
	PAL		--	24.38	--	
Horizontal Display Active		Display Area	--	1280	--	DCLK
Horizontal Total Time		t_h	--	1560	--	DCLK
HSYNC Pulse Width		t_{hpw}	--	1	--	DCLK
Horizontal Back Porch		t_{hb}	--	240	--	DCLK
Horizontal Front Porch		t_{hfp}	--	40	--	DCLK

6.4 Serial RGB Dummy Mode and Serial YUV 4:2:2 Mode: Vertical



Non-interlace Mode



Interlace Mode

(1) Non-Interlace Mode: NTSC/QVGA

Item	Symbol	MIN	TYP	MAX	Unit	
Vertical Display Active	t_{vd}	-	240	-	Line	
Vertical Total Time	t_v	-	262	-	Line	
VSYNC Pulse Width	t_{vpw}	1	1	-	DCLK	
Vertical Back Porch	Odd Field	t_{vbo}	-	21	-	Line
	Even Field	t_{vbe}	-	21	-	Line
Vertical Front Porch	Odd Field	t_{vfpo}	-	1	-	Line
	Even Field	t_{vfpe}	-	1	-	Line
Vertical Dummy	t_{vdm}	-	0	-	Line	

(2) Non-Interlace Mode: PAL

Item	Symbol	MIN	TYP	MAX	Unit	
Vertical Display Active	t_{vd}	-	288	-	Line	
Vertical Total Time	t_v	-	312	-	Line	
VSYNC Pulse Width	t_{vpw}	1	1	-	DCLK	
Vertical Back Porch	Odd Field	t_{vbo}	-	24	-	Line
	Even Field	t_{vbe}	-	24	-	Line
Vertical Front Porch	Odd Field	t_{vfpo}	-	0	-	Line
	Even Field	t_{vfpe}	-	0	-	Line
Vertical Dummy	t_{vdm}	-	0	-	Line	

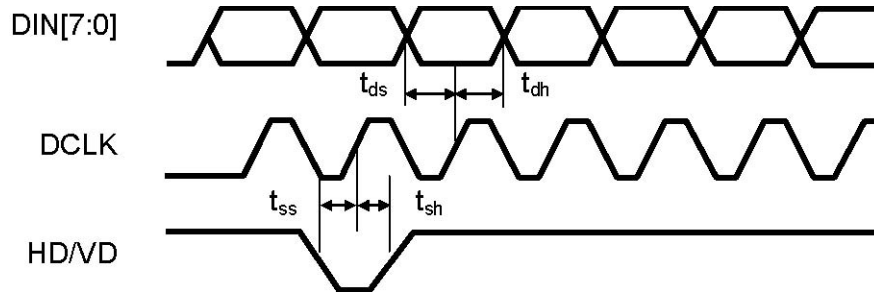
(3) Interlace Mode: NTSC/QVGA

Item	Symbol	MIN	TYP	MAX	Unit	
Vertical Display Active	t_{vd}	-	240	-	Line	
Vertical Total Time	t_v	-	262.5	-	Line	
VSYNC Pulse Width	t_{vpw}	1	1	-	DCLK	
Vertical Back Porch	Odd Field	t_{vbo}	-	21	-	Line
	Even Field	t_{vbe}	-	21.5	-	Line
Vertical Front Porch	Odd Field	t_{vfpo}	-	1.5	-	Line
	Even Field	t_{vfpe}	-	1	-	Line
Vertical Dummy	t_{vdm}	-	0	-	Line	

(4) Interlace Mode: PAL

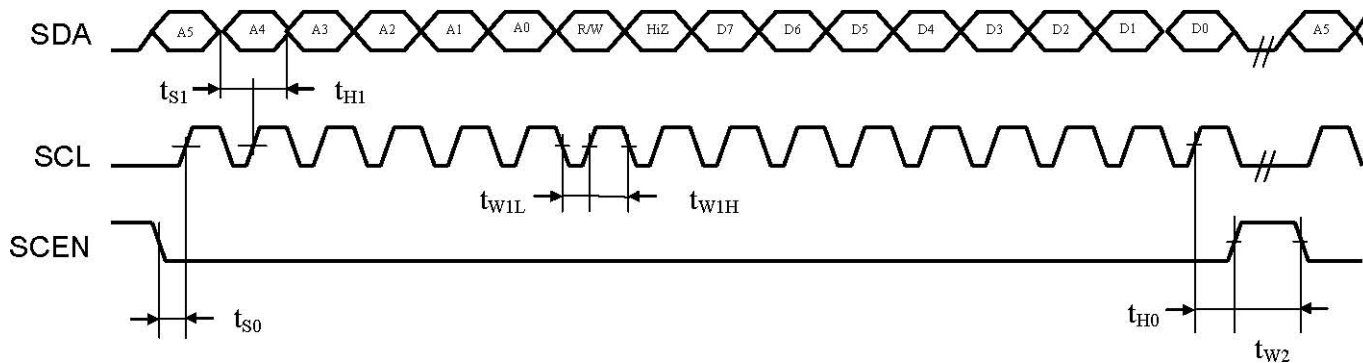
Item	Symbol	MIN	TYP	MAX	Unit	
Vertical Display Active	t_{vd}	-	288	-	Line	
Vertical Total Time	t_v	-	312	-	Line	
VSYNC Pulse Width	t_{vpw}	1	1	-	DCLK	
Vertical Back Porch	Odd Field	t_{vbo}	-	24	-	Line
	Even Field	t_{vbe}	-	24.5	-	Line
Vertical Front Porch	Odd Field	t_{vfpo}	-	0.5	-	Line
	Even Field	t_{vfpe}	-	0	-	Line
Vertical Dummy	t_{vdm}	-	0	-	Line	

6.5 Setup Time and Hold Time



Item	Symbol	MIN	TYP	MAX	Unit
DCLK Duty Ratio	-	40	-	60	%
Data Setup Time	t_{ds}	12	-	-	ns
Data Hold Time	t_{dh}	12	-	-	ns
Control Signal Setup Time	t_{ss}	12	-	-	ns
Control Signal Hold Time	t_{sh}	12	-	-	ns

6.6 Serial Interface Timing



Parameter	Symbol	Condition	MIN	TYP	MAX	Unit
Data Setup Time	t_{s0}	SCEN to SCL	150	-	-	ns
	t_{s1}	SDA to SCL	150	-	-	ns
Data Hold Time	t_{H0}	SCEN to SCL	150	-	-	ns
	t_{H1}	SDA to SCL	150	-	-	ns
Pulse width	t_{w1L}	SCL pulse width	160	-	-	ns
	t_{w1H}	SCL pulse width	160	-	-	ns
	t_{w2}	SCEN pulse width	1.0	-	-	us
Clock Duty	-	SCL duty ratio	40	-	60	%

7 POWER SEQUENCE

7.1 Power on to normal mode sequence

Power on (low power mode, global reset) to normal mode sequence

Step1: Wait VCC go stable and then send a low pulse (more than 160us) to GRSTB pad.

A normal command is following GRSTB low pulse.

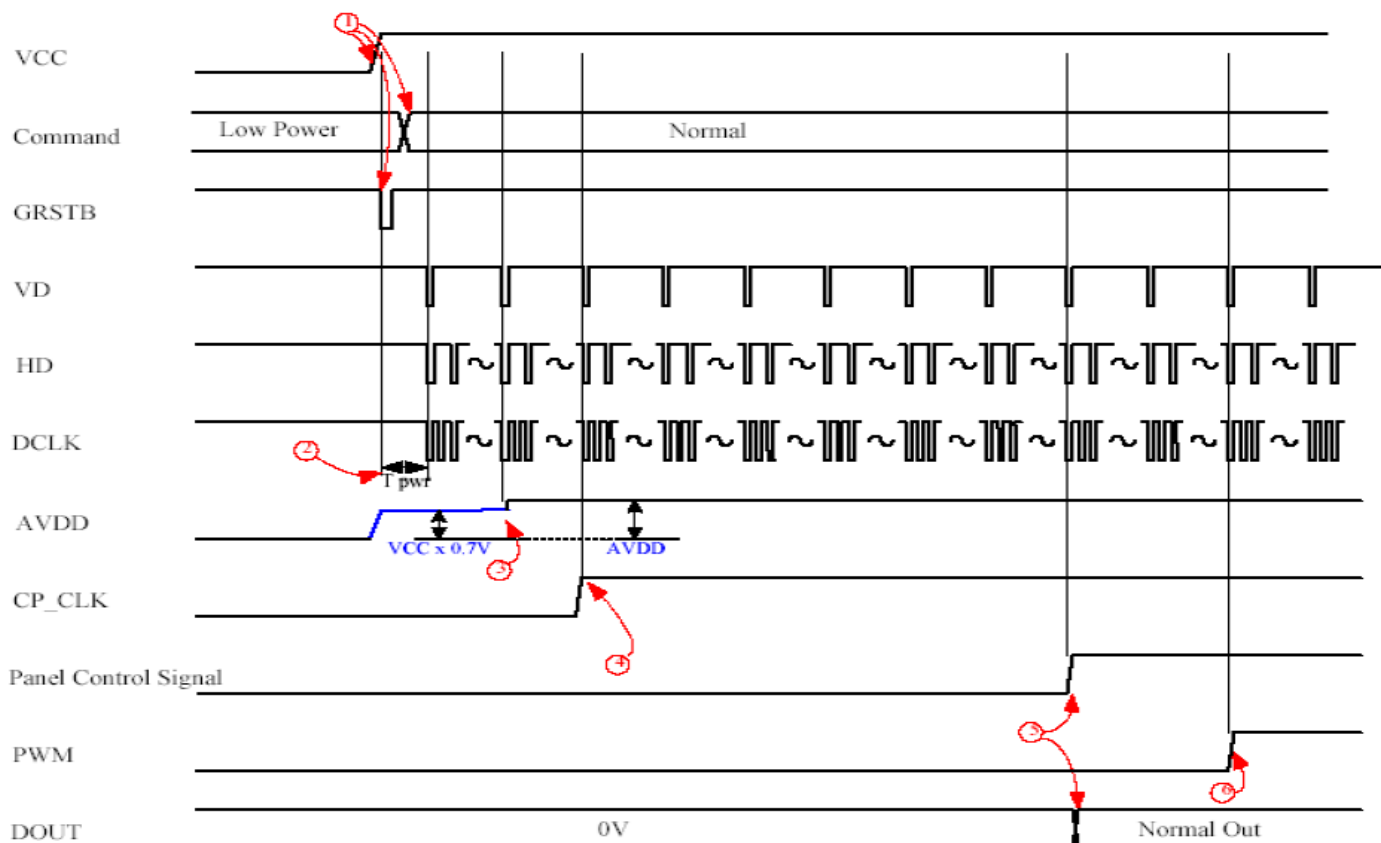
Step2: Before turn on VCC, the VD/HD/DCLK input signal must keep still unit T_{pwr} (2ms).

Step3: AVDD will start when second VD coming.

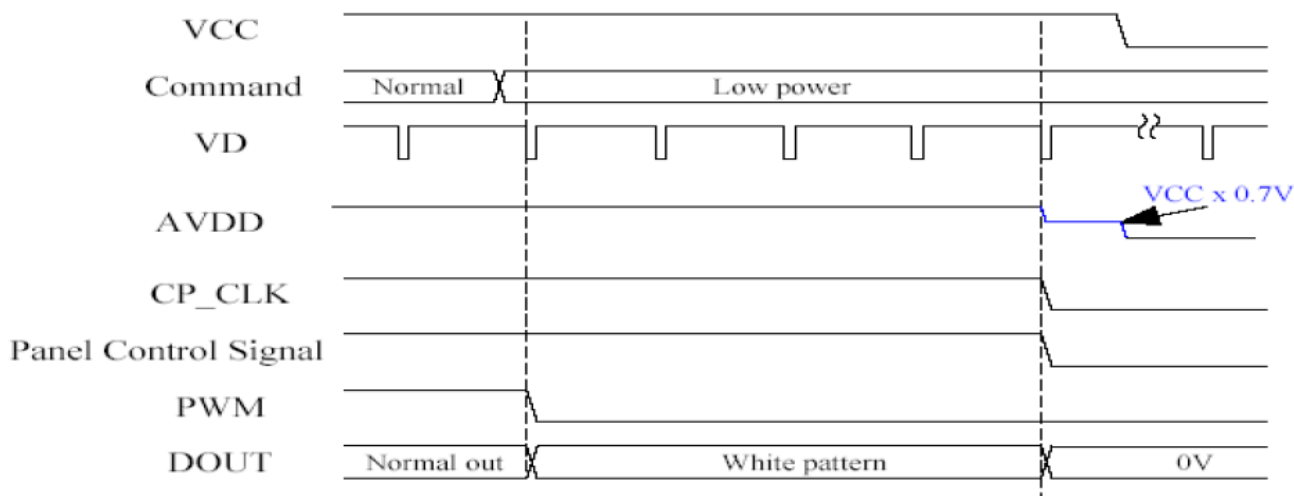
Step4: CP_CLK will start when third VD coming.

Step5: Panel Control Signal and Normal DOUT will start when ninth VD coming.

Step6: PWM control signal will start when eleventh VD coming.



7.2 Normal mode to power off sequence



8 OPTICAL CHARACTERISTICS

8.1 Optical Specification

Ta=25°C

Item	Symbol	Condition	MIN	TYP	MAX	Unit	Remarks	
Viewing Angles	θ_{11}	CR \geq 10	30	40	-	Degree	Note 8-1	
	θ_{12}		30	40	-			
	θ_{21}		10	20	-			
	θ_{22}		40	50	-			
Contrast Ratio	CR	$\theta = 0^\circ$	200	300	-		Note 8-2	
Response Time	Rising		Tr		13	20	ms	Note 8-3
	Falling		Tf		22	30		
Luminance (I _F =23mA)	L			160	200	-	cd/m ²	Note 8-4
Chromaticity	White		x _w	-	0.31	-		Note 8-5
		y _w	-	0.34	-			

8.2 Basic Measure Conditions

(1) Driving voltage

$$V_{CC} = 3.3 \text{ V}$$

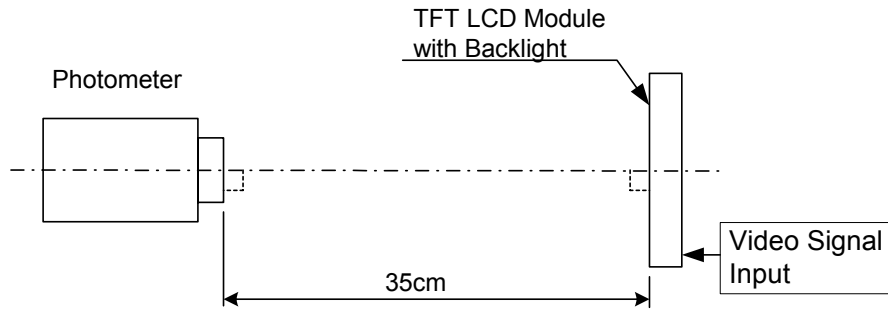
(2) Ambient Temperature: Ta=25°C

(3) Testing Point: Measure in the display center point and the test angle $\theta = 0^\circ$

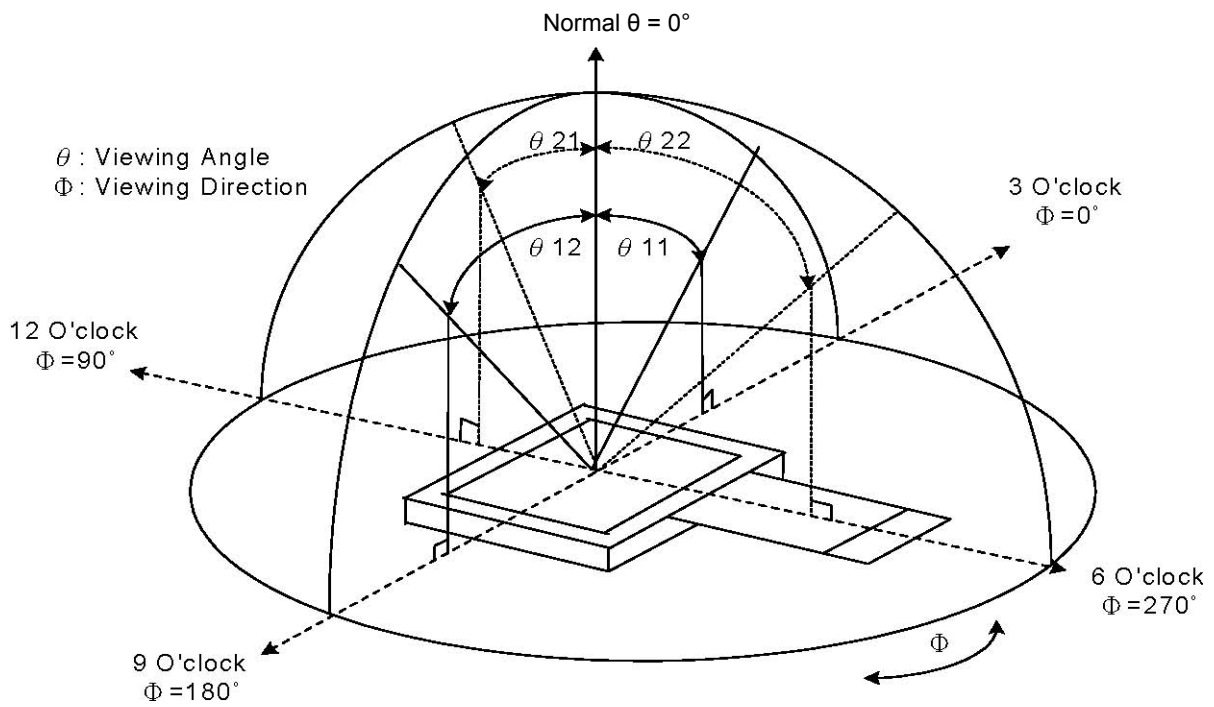
(4) LED Current: I_F=23mA.

(5) Testing Facility

Environmental illumination: $\leq 1 \text{ Lux}$



Note 8-1: Viewing angle diagrams:

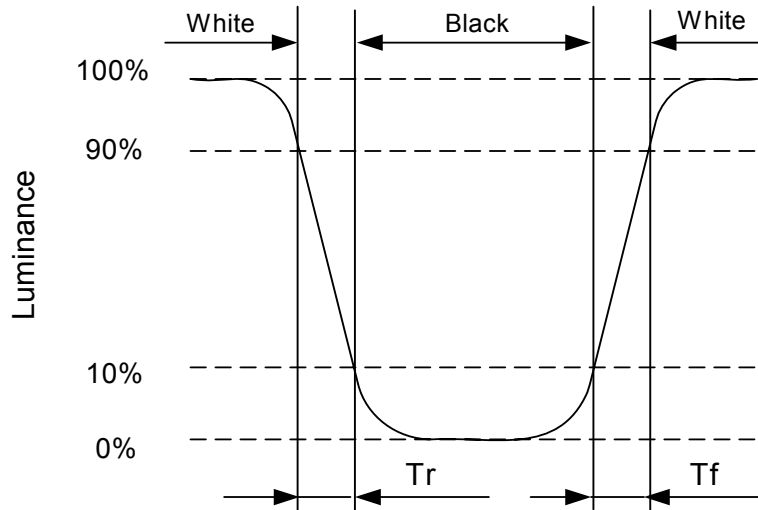


Note 8-2: Contrast Ratio:

Contrast ratio is measured in optimum common electrode voltage.

$$CR = \frac{\text{Luminance with white image}}{\text{Luminance with black image}}$$

=====
Note 8-3: Definition of response time:



Note 8-4: Luminance:

Test Point: Display Center

Note 8-5: Chromaticity: The same test condition as Note 8-4.

9 REILIABILITY

No	Test Item	Condition
1	High Temperature Operation	Ta=+60°C, 240hrs
2	High Temperature & High Humidity Operation	Ta=+40°C, 95% RH, 240hrs
3	Low Temperature Operation	Ta=-10°C, 240hrs
4	High Temperature Storage (non-operation)	Ta=+80°C, 240hrs
5	Low Temperature Storage (non-operation)	Ta=-30°C, 240hrs
6	Thermal Shock (non-operation)	-30°C ←→ 80°C, 50 cycles 30 min 30 min
7	Surface Discharge (non-operation)	C=150pF, R=330Ω; Discharge: Air: ±15kV; Contact: ±8kV 5 times / Point; 5 Points / Panel
8	Vibration (non-operation)	Frequency: 10~55Hz; Amplitude: 1.5mm Sweep Time: 11min Test Time: 2 hrs for each direction of X, Y, Z
9	Shock (non-operation)	Acceleration: 100G; Period: 6ms Directions: ±X, ±Y, ±Z; Cycles: Twice

*Ta: Ambient Temperature

=====

10 HANDLING CAUTIONS

10.1 ESD (Electrical Static Discharge) Strategy

ESD will cause serious damage of the panel, ESD strategy is very important in handling. Following items are the recommend ESD strategy

- (1) In handling LCD panel, please wear non-charged material gloves. And the conduction ring connect wrist to the earth and the conducting shoes to the earth is necessary.
- (2) The machine and working table for the panel should have ESD prohibition strategy.
- (3) In handling the panel, ionize flowing decrease the charge in the environment is necessary.
- (4) In the process of assembly the module, shield case should connect to the ground.

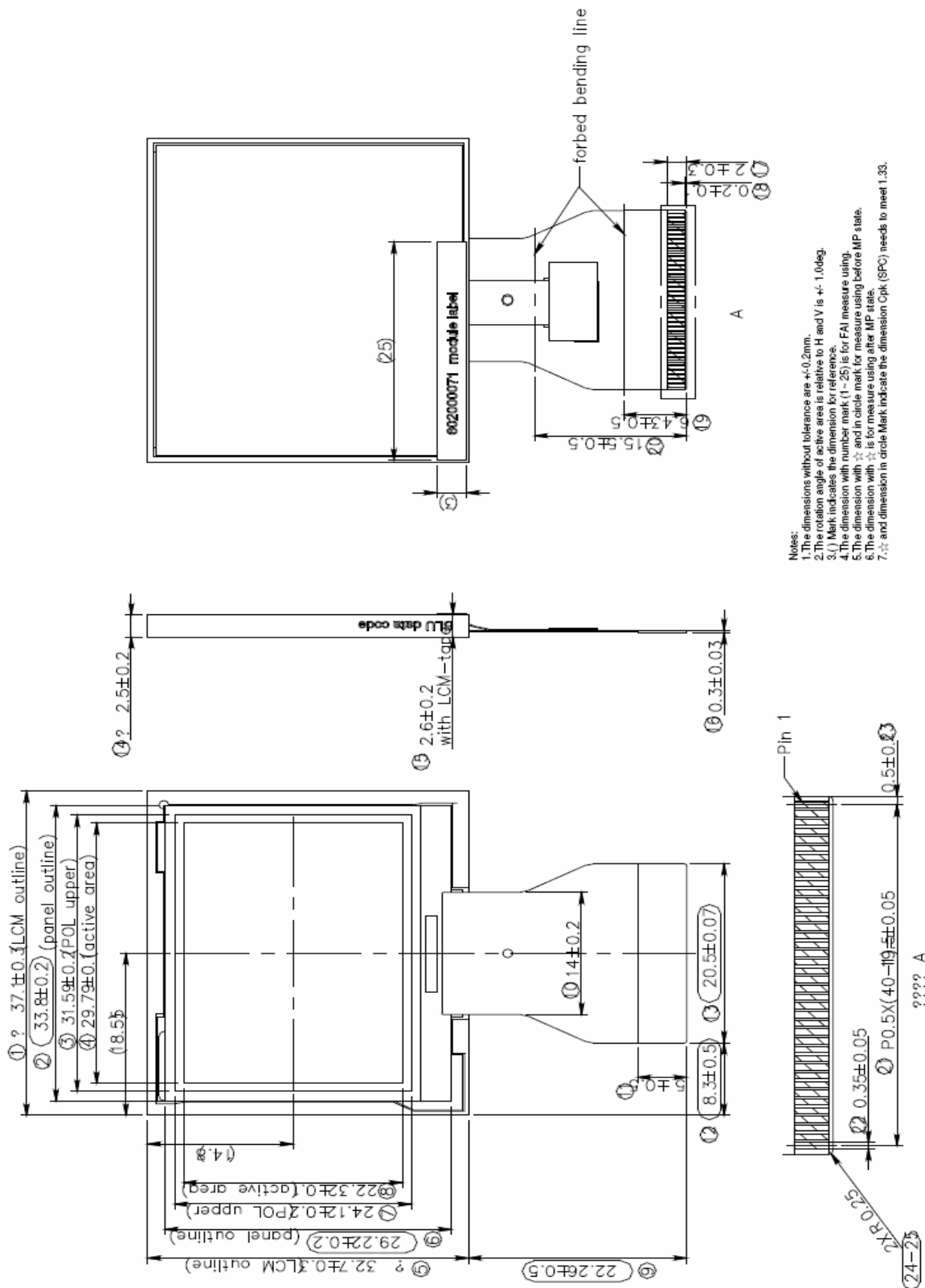
10.2 Environment

- (1) Working environment of the panel should in the clean room.
- (2) The front polarizer is easy damaged, handle it carefully and do not scratch it by sharp material.
- (3) Panel has polarizer protective film in the surface please remove the protection film of polarizer slowly with ionized air to prevent the electrostatic discharge.

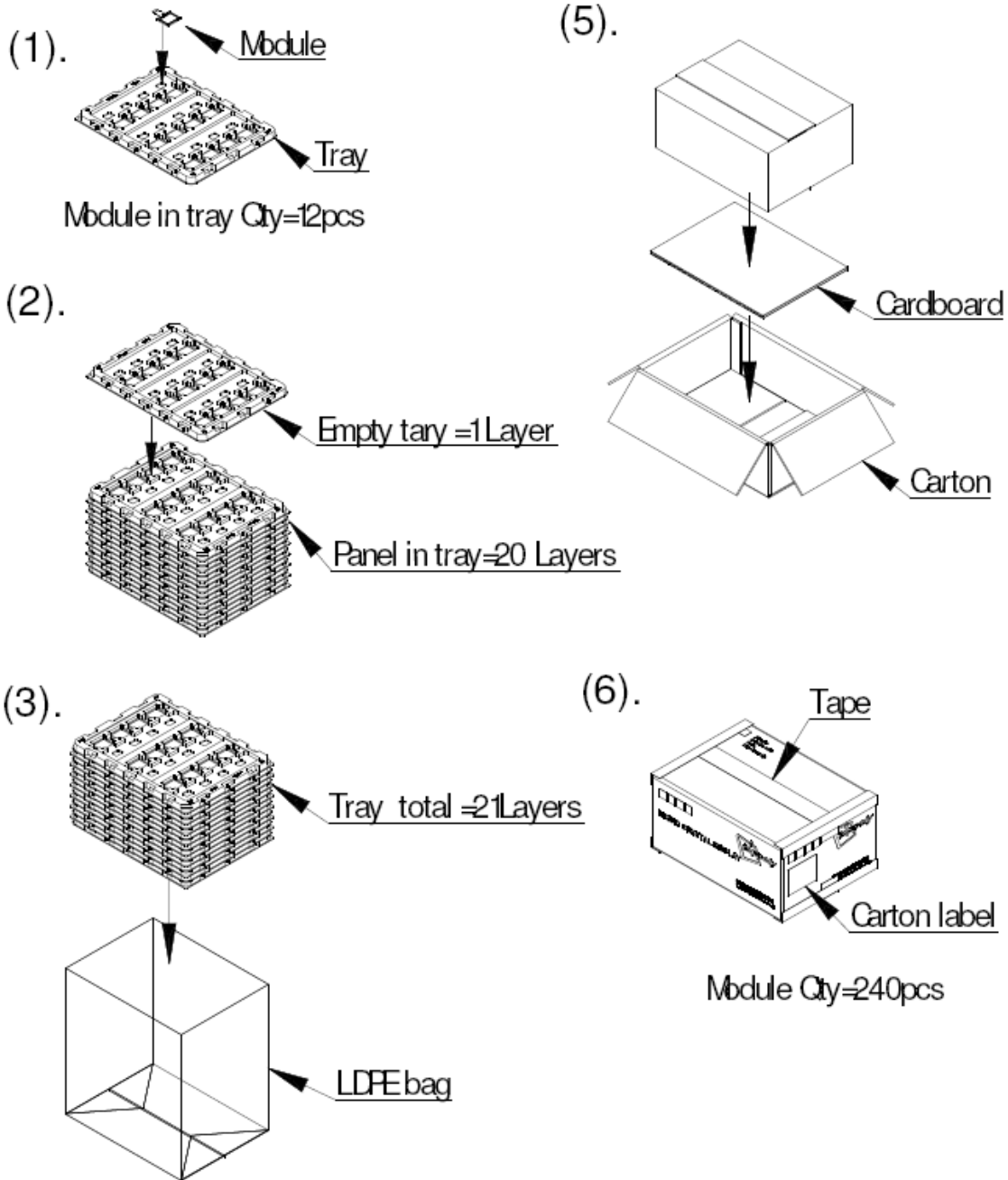
10.3 Others

- (1) Turn off the power supply before connecting and disconnecting signal input cable.
- (2) The connection area of FPC and panel is very weak, do not handle panel only by FPC or bend FPC.
- (3) Water drop on the surface or condensation as panel power on will corrode panel electrode.
- (4) As the packing bag open, watch out the environment of the panel storage. High temperature and high humidity environment is prohibited.
- (5) When the TFT LCD module is broken, please watch out whether liquid crystal leaks out or not. If your hand touches liquid crystal, wash your hand cleanly by water and soap as soon as possible.

11 MECHANICAL DRAWING



12 PACKING DRAWING



1.5" module (0915A015M) delivery packing method

(1) Module packed into tray cavity (with Module display face down).

(2) Tray stacking with 20 layers and with 1 empty tray above the stacking tray unit.

2pcs desiccant put above the empty tray

(3) Stacking tray unit put into the LDPE bag and fix by adhesive tape.

(4) Put 1pc cardboard inside the carton bottom, and then pack the package unit into the carton.

(5) Carton taping with adhesive tape.